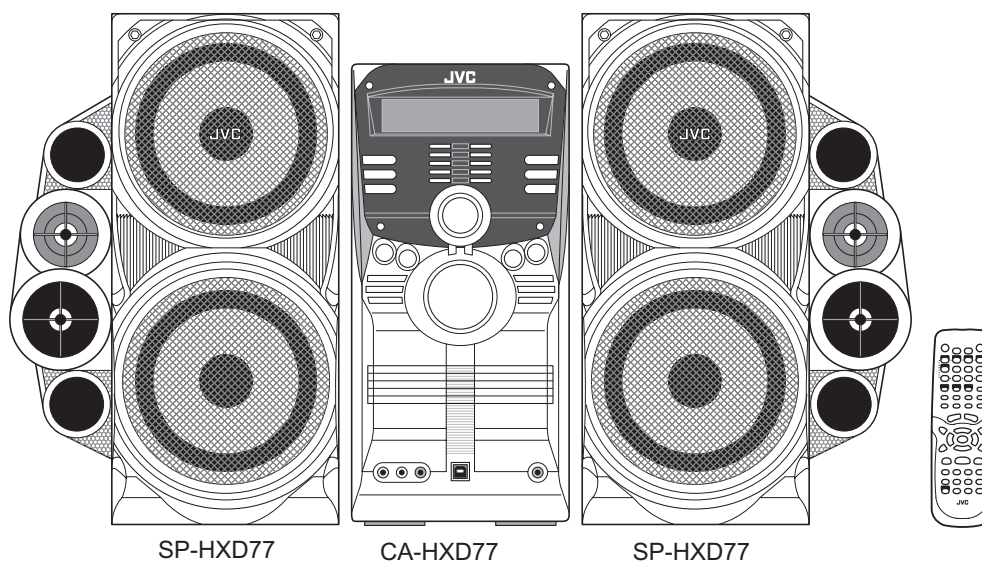


JVC

SERVICE MANUAL

COMPACT COMPONENT SYSTEM

HX-D77UJ



Lead free solder used in the board (material : Sn-Ag-Cu, melting point : 219 Centigrade)

TABLE OF CONTENTS

1	PRECAUTION.....	1-3
2	SPECIFIC SERVICE INSTRUCTIONS.....	1-5
3	DISASSEMBLY.....	1-6
4	ADJUSTMENT.....	1-14
5	TROUBLESHOOTING.....	1-15

SPECIFICATION

Amplifier section (CA-HXD77)	Output Power	SUBWOOFERS	125 W per channel, min. RMS, driven into 3 Ω at 100 Hz with no more than 10% total harmonic distortion. (IEC 268-3) (at 230 V , 50 Hz)	
		MAIN SPEAKERS	90 W per channel, min. RMS, driven into 6 Ω at 1 kHz with no more than 10% total harmonic distortion. (IEC 268-3) (at 230 V , 50 Hz)	
	Audio input sensitivity/ impedance	AUX	400 mV/47 kΩ	
		USB	USB Version 1.1	
	Video input sensitivity/ impedance	GAME/AUX (composite video)	1 V(p-p)/75 Ω	
	Digital output	DIGITAL OUTPUT (OPTICAL)	-21 dBm to -15 dBm (660 nm ±30 nm)	
	VIDEO OUT	Color system	NTSC or PAL	
		VIDEO (composite)	1 V(p-p)/75 Ω	
		S-VIDEO	Y (luminance) : 1 V(p-p)/75 Ω C (chrominance, burst) : NTSC : 0.286 V(p-p)/75 Ω C (chrominance, burst) : PAL : 0.3 V(p-p)/75 Ω	
Speaker Terminals		6 Ω - 16 Ω (main speakers) 3 Ω - 6 Ω (subwoofers)		
Tuner section	FM tuning range	87.5 MHz - 108.0 MHz		
	AM tuning range	530 kHz - 1 710 kHz (at 10 kHz intervals) 531 kHz - 1 710 kHz (at 9 kHz intervals)		
Disc player section	Playable disc	DVD Video CD/VCD/SVCD CD-R/CD-RW (recorded in Audio CD/Video CD/Super Video CD/MP3/ WMA/JPEG format) DVD-R/DVD-RW (recorded in DVD-Video or DVD-VR format) +R/+RW (recorded in DVD-Video or DVD-VR format)		
	Dynamic range	90 dB		
	Horizontal resolution	500 lines		
	Wow and flutter	Immeasurable		
General	Power requirement	AC 110 V - AC 240 V , 50/60 Hz		
	Power consumption	90 W/ 150 VA (at operation) 8 W (on standby: with power saving off-Normal mode) 1 W (on standby: with power saving on-Eco mode)		
	Dimensions (approx.) (W/H/D)	175 mm × 373 mm × 411 mm (6 15/16 in. × 14 11/16 in. × 16 3/16 in.)		
	Mass (approx.)	5.8 kg (12.8 lbs)		
Speaker section (SP-HXD77)	Type	4-Way Front Twin Woofer (Magnetically Shielded Type)		
	Speakers	Subwoofer	16 cm (6 5/16 in.) cone × 1	
		Woofer	16 cm (6 5/16 in.) cone × 1	
		Mid range	7 cm (2 13/16 in.) cone × 1	
		Tweeter	2 cm (13/16 in.) piezo × 1	
	Power handling capacity	Subwoofer	180 W	
		Main speaker	90 W	
	Impedance	Subwoofer	3 Ω	
		Main speaker	6 Ω	
	Frequency range	Subwoofer	30 Hz - 1 000 Hz	
		Main speaker	50 Hz - 20 000 Hz	
	Sound pressure level	Subwoofer	73 dB/W·m	
		Main speaker	82 dB/W·m	
	Dimensions (approx.) (W/H/D)	296 mm × 453 mm × 343 mm (11 11/16 in. × 17 7/8 in. × 13 9/16 in.)		
Mass (approx.)	7.5 kg (16.5 lbs) each			

Design and specifications are subject to change without notice.

SECTION 1 PRECAUTION

1.1 Safety Precautions

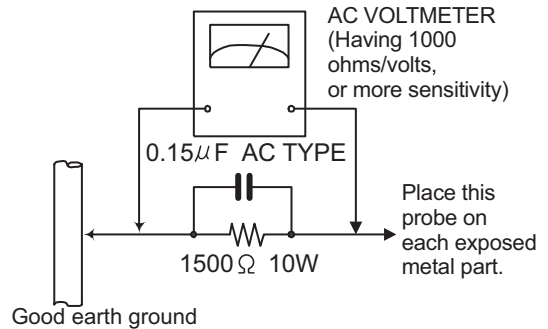
- (1) This design of this product contains special hardware and many circuits and components specially for safety purposes. For continued protection, no changes should be made to the original design unless authorized in writing by the manufacturer. Replacement parts must be identical to those used in the original circuits. Services should be performed by qualified personnel only.
- (2) Alterations of the design or circuitry of the product should not be made. Any design alterations of the product should not be made. Any design alterations or additions will void the manufacturer's warranty and will further relieve the manufacturer of responsibility for personal injury or property damage resulting therefrom.
- (3) Many electrical and mechanical parts in the products have special safety-related characteristics. These characteristics are often not evident from visual inspection nor can the protection afforded by them necessarily be obtained by using replacement components rated for higher voltage, wattage, etc. Replacement parts which have these special safety characteristics are identified in the Parts List of Service Manual. Electrical components having such features are identified by shading on the schematics and by (Δ) on the Parts List in the Service Manual. The use of a substitute replacement which does not have the same safety characteristics as the recommended replacement parts shown in the Parts List of Service Manual may create shock, fire, or other hazards.
- (4) The leads in the products are routed and dressed with ties, clamps, tubings, barriers and the like to be separated from live parts, high temperature parts, moving parts and/or sharp edges for the prevention of electric shock and fire hazard. When service is required, the original lead routing and dress should be observed, and it should be confirmed that they have been returned to normal, after reassembling.
- (5) Leakage shock hazard testing

After reassembling the product, always perform an isolation check on the exposed metal parts of the product (antenna terminals, knobs, metal cabinet, screw heads, headphone jack, control shafts, etc.) to be sure the product is safe to operate without danger of electrical shock. Do not use a line isolation transformer during this check.

 - Plug the AC line cord directly into the AC outlet. Using a "Leakage Current Tester", measure the leakage current from each exposed metal part of the cabinet, particularly any exposed metal part having a return path to the chassis, to a known good earth ground. Any leakage current must not exceed 0.5mA AC (r.m.s.).
 - Alternate check method
Plug the AC line cord directly into the AC outlet. Use an AC voltmeter having, 1,000 Ω per volt or more sensitivity in the following manner. Connect a 1,500 Ω 10W resistor paralleled by a 0.15 μ F AC-type capacitor between an exposed metal part and a known good earth ground. Measure the AC voltage across the resistor with the AC

voltmeter.

Move the resistor connection to each exposed metal part, particularly any exposed metal part having a return path to the chassis, and measure the AC voltage across the resistor. Now, reverse the plug in the AC outlet and repeat each measurement. Voltage measured any must not exceed 0.75 V AC (r.m.s.). This corresponds to 0.5 mA AC (r.m.s.).



1.2 Warning

- (1) This equipment has been designed and manufactured to meet international safety standards.
- (2) It is the legal responsibility of the repairer to ensure that these safety standards are maintained.
- (3) Repairs must be made in accordance with the relevant safety standards.
- (4) It is essential that safety critical components are replaced by approved parts.
- (5) If mains voltage selector is provided, check setting for local voltage.

1.3 Caution

Burrs formed during molding may be left over on some parts of the chassis.
Therefore, pay attention to such burrs in the case of pre-forming repair of this system.

1.4 Critical parts for safety

In regard with component parts appearing on the silk-screen printed side (parts side) of the PWB diagrams, the parts that are printed over with black such as the resistor (\blacksquare), diode (\blacksquare) and ICP (\bullet) or identified by the " Δ " mark nearby are critical for safety. When replacing them, be sure to use the parts of the same type and rating as specified by the manufacturer.
(This regulation does not Except the J and C version)

1.5 Important for laser products

1.CLASS 1 LASER PRODUCT

2.CAUTION :

(For U.S.A.) Visible and/or invisible class II laser radiation when open. Do not stare into beam.

(Others) Visible and/or invisible class 1M laser radiation when open. Do not view directly with optical instruments.

3.CAUTION : Visible and/or invisible laser radiation when open and inter lock failed or defeated. Avoid direct exposure to beam.

4.CAUTION : This laser product uses visible and/or invisible laser radiation and is equipped with safety switches which prevent emission of radiation when the drawer is open and the safety interlocks have failed or are defeated. It is dangerous to defeat the safety switches.

(For U.S.A.)

CAUTION : Visible and/or invisible class II laser radiation when open. Do not stare into beam.

(Others)

CAUTION : Visible and/or invisible class 1M laser radiation when open. Do not view directly with optical instruments

ACHTUNG: Sichtbare und/oder unsichtbare Laserstrahlung der Klasse 1M bei offenen Abdeckungen. Nicht direkt mit optischen Instrumenten betrachten.

ATTENTION: Rayonnement laser visible et/ou invisible de classe 1M une fois ouvert. Ne pas regarder directement avec des instruments optiques.

VOORZICHTIG: Zichtbare en/of onzichtbare klasse 1M laserstralen indien geopend. Bekijk niet direct met optische instrumenten.

ATTENZIONE: Radiazione laser in classe 1M visibile e/o invisibile quando aperto. Non osservare direttamente con strumenti ottici.

WARNING: Synlig och/eller osynlig laserstrålning, klass 1M, när denna del är öppnad. Betrakta ej strålen med optiska instrument.

VARO! Avattaessa olet alttiina nakyyvalle ja/tai näkymättömälle luokan 1M lasersateilylle. Älä tarkastele sitä optisen laitteen läpi.

ADVASEL: Synlig og/eller usynlig klasse 1M-laserstråling ved åbning. Se ikke direkte med optiske instrumenter.

AVISO: Radiación láser de clase 1M visible y/o invisible cuando está abierto. No mirar directamente con instrumental óptico.

PRECAUÇÃO: Radiação laser de classe 1M visível e/ou invisível quando aberto. Não olhe diretamente com instrumentos ópticos.

5.CAUTION : If safety switches malfunction, the laser is able to function.

6.CAUTION : Use of controls, adjustments or performance of procedures other than those specified here in may result in hazardous radiation exposure.



CAUTION Please use enough caution not to see the beam directly or touch it in case of an adjustment or operation check.

PRECAUÇÃO: Radiação laser de classe 1M visível e/ou invisível quando aberto. Não olhe diretamente com instrumentos ópticos.

ПРЕДУПРЕЖДЕНИЕ: В открытом состоянии происходит видимое и/или невидимое излучение лазера класса 1M. Не смотрите непосредственно в оптические инструменты.

UWAGA: Otwarcie spowoduje narażenie na widzialne i/lub niewidzialne promieniowanie lasera klasy 1M. Nie patrzeć bezpośrednio w przyrządy optyczne.

UPOZORNĚNÍ: Při otevření vydává viditelné popř. neviditelné laserové ozáření třídy 1M. Nedívejte se do otvoru přímo s optickými nástroji.

FIGYELMEZTETÉS: Látható és/vagy láthatatlan 1M osztályú sugárzás nyitott állapotban. Ne nézze közvetlenül optikai műszerekkel.

注意: 打開蓋板可能會產生可見或不可見的 1M 級鐳射。不要使用光學儀器直接進行窺視。

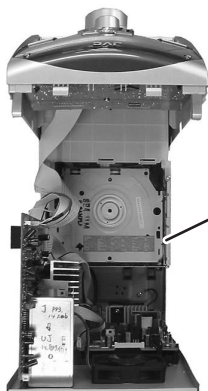
注意: 打开蓋板可能会产生可见或不可见的 1M 级辐射。不要使用光学仪器直接进行窥视。

تنبيه: يوجد إشعاع ليزري مرئي و/أو غير مرئي من الفئة 1M عندما يكون الجهاز مفتوحاً. تجنب النظر مباشرة داخل الجهاز باستخدام أدوات بصرية.

احتياطات: هنگامی که باز گردد، تشعشع مرئی و یا نامرئی کلاس 1M لیزر وجود دارد. با لوازم چشمی مستقیماً به آن نگاه نکنید.

주의: 개방하면 가시 및/또는 비가시 클래스 1M 레이저 방사선이 나옵니다. 광학 기구로 직접 들여다보지 마십시오.

REPRODUCTION AND POSITION OF LABELS and PRINT WARNING LABEL and PRINT



CAUTION VISIBLE AND/OR INVISIBLE CLASS 1M LASER RADIATION WHEN OPEN. DO NOT VIEW DIRECTLY WITH OPTICAL INSTRUMENTS. IEC60825-1:2001 (ENG)	ATTENTION RAYONNEMENT LASER VISIBLE ET/OU INVISIBLE DE CLASSE 1M UNE FOIS OUVERT. NE PAS REGARDER DIRECTEMENT AVEC DES INSTRUMENTS OPTIQUES. (FRA)	AVISO RADIACIÓN LASER DE CLASE 1M VISIBLE Y/O INVISIBLE CUANDO ESTA ABIERTO. NO MIRAR DIRECTAMENTE CON INSTRUMENTAL OPTICO. (SPA)	WARNING SYNLIG OCH/ELLER OSYNLIG LASERSTRÅLNING, KLASS 1M, NÄR DENNA DEL ÄR ÖPPNAD. BETRAKTA EJ STRÅLEN MED OPTISKA INSTRUMENT. (SWE)	注意 ニニも顯くと可視 及び/または不可視 のクラス1M レーザー放射が 出ます。 光学装置で直接 見ないでください。 (JPN)	CAUTION VISIBLE AND/OR INVISIBLE CLASS II LASER RADIATION WHEN OPEN. DO NOT STARE INTO BEAM. FDA 21 CFR (ENG) LV44603-003A
--	--	---	---	--	---

SECTION 2
SPECIFIC SERVICE INSTRUCTIONS

This service manual does not describe SPECIFIC SERVICE INSTRUCTIONS.

SECTION 3 DISASSEMBLY

3.1 Main body

3.1.1 Removing the top cabinet (See Fig.1, 2)

- (1) From the back side of the main body, remove the five screws **A** attaching the top cabinet. (See Fig.1)
- (2) From the both side of the main body, remove the four screws **B** attaching the top cabinet. (See Fig.2.)
- (3) Remove the top cabinet from the main body while lifting the rear section of the top cabinet in the direction of the arrow. (See Fig.2)

3.1.2 Removing the fan (See Fig.1, 3)

- Remove the top cabinet.
 - (1) From the back side of the main body, remove the two screws **C** attaching the fan to the rear cabinet. (See Fig.1)
 - (2) Remove the connector wire from the connector **CN108** of the AMP board. (See Fig.3)
 - (3) Take out the fan from the main body.

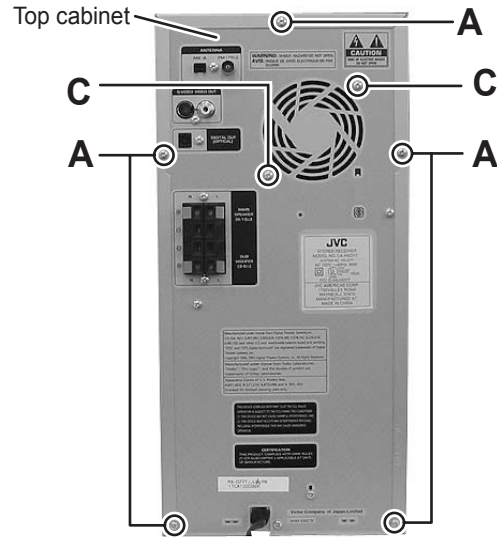


Fig.1

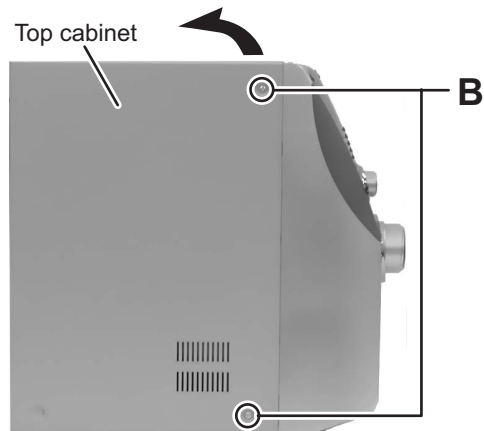


Fig.2

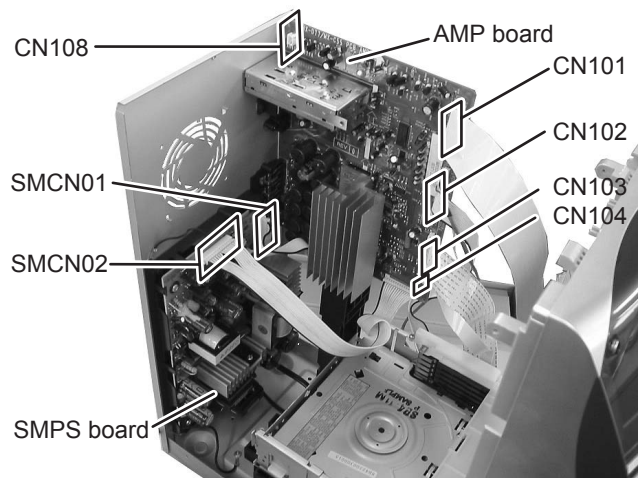


Fig.3

3.1.3 Removing the AMP board (See Fig.3 to 5)

- Remove the top cabinet.
 - Disconnect the connector wire from the connector [CN102](#) of the AMP board. (See Fig.3)
 - Disconnect the card wires from the connectors [CN101](#), [CN103](#), [CN104](#) of the AMP board. (See Fig.3)
 - Disconnect the connector wires from the connectors [SMCN01](#), [SMCN02](#) of the SMPS board. (See Fig.3)
 - From the back side of the main body, remove the five screws **D** attaching the AMP board to the rear cabinet. (See Fig.4)
 - From the right side of the main body, remove the one screw **E** attaching the AMP board to the PCB holder. (See Fig.5)
 - Take out the AMP board from the main body.

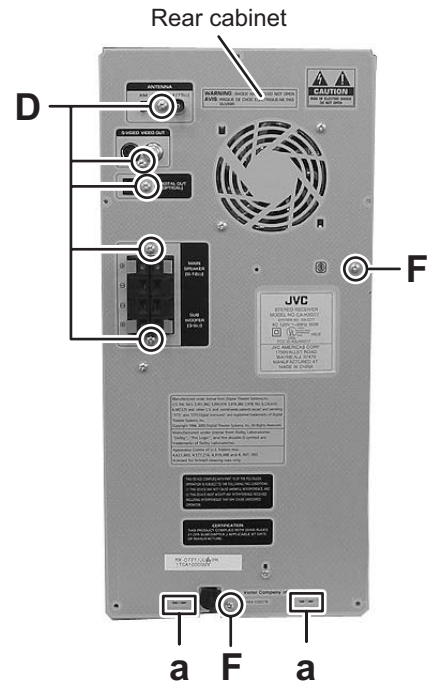


Fig.4

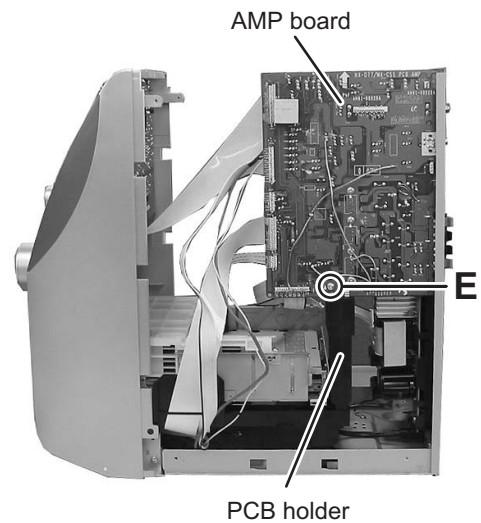


Fig.5

3.1.4 Removing the SMPS board (See Fig.4, 6, 7)

- Remove the top cabinet and the AMP board.
 - From the back side of the main body, remove the two screws **F** attaching the rear cabinet. (See Fig.4)
 - From the top side of the main body, remove the one screw **G** attaching the earth wire on the bottom cabinet. (See Fig.6)
 - Remove the two hooks **a** toward this side and remove the rear cabinet. (See Fig.4)
 - From the reverse side of the rear cabinet, remove the four screws **H** attaching the rear cabinet. (See Fig.7)
 - Release the nine claws **b**. (See fig.7)
 - Take out the SMPS board from the rear cabinet.

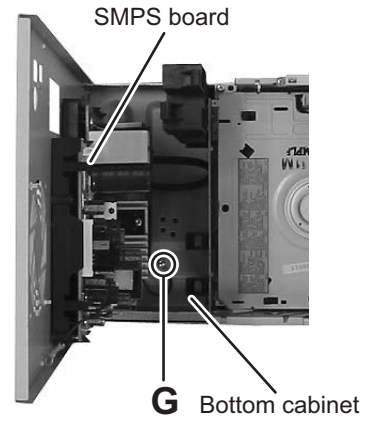


Fig.6

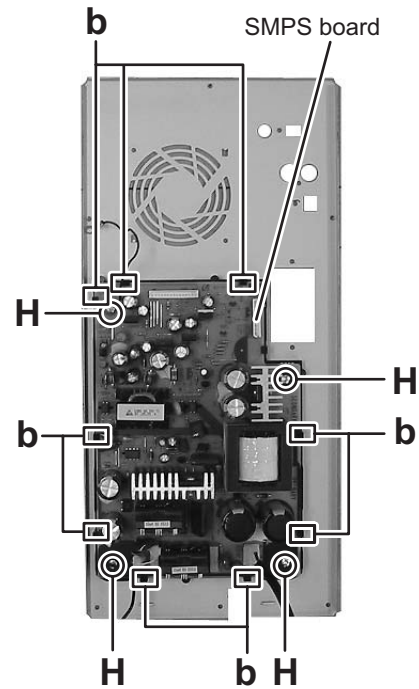


Fig.7

**3.1.5 Removing the 5DVD mechanism assembly
(See Fig.8 to 11)**

- Remove the top cabinet, the rear cabinet and the AMP board.
 - From the top side of the main body, release the two claws **c** and remove the PCB holder from the 5DVD mechanism assembly. (See Fig.8)
 - From the top side of the main body, remove the two screws **J** from the main body. (See Fig.9)
 - From the both side of the main body, remove the two screws **K** and then remove the 5DVD mechanism assembly from the main body in the direction of the arrow. (See Fig.10)
 - From the top side of the 5DVD mechanism assembly, remove the four screws **L** and remove the 5DVD mechanism assembly and the deck holder. (See Fig.11)

Reference:

When removing the doors, release the claws **d** of the doors and then remove the five doors from the 5DVD mechanism assembly. (See Fig.11)

Note:

When releasing the claws **d**, take care not to break them. (See Fig.11)

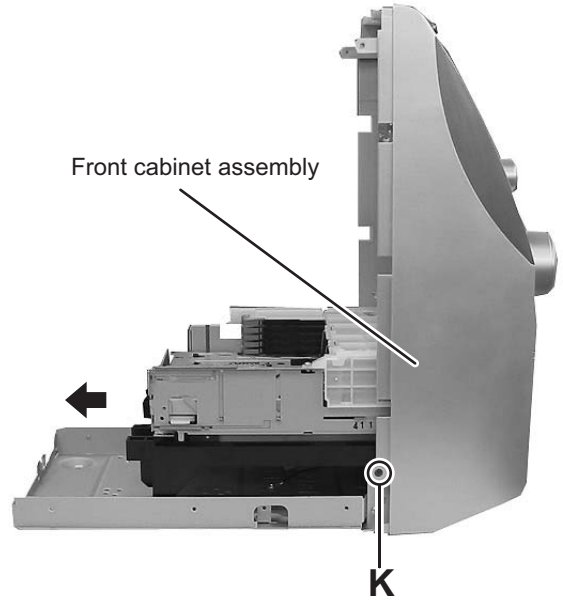


Fig.10

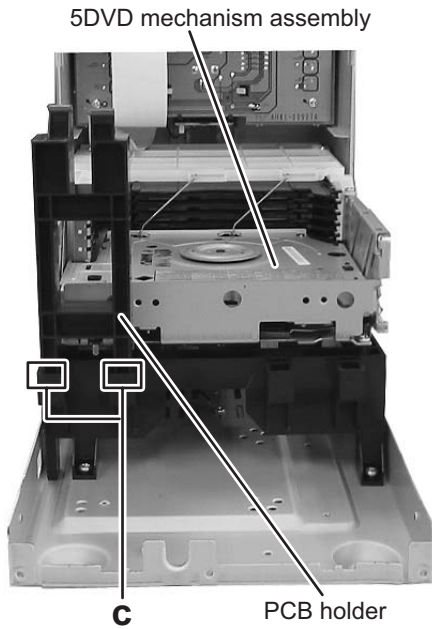


Fig.8

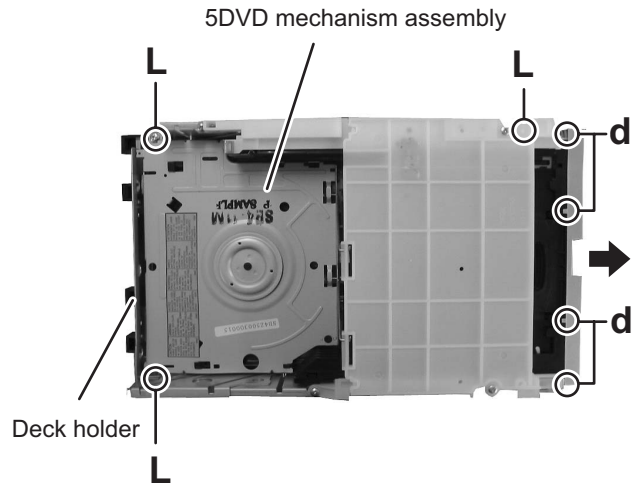


Fig.11

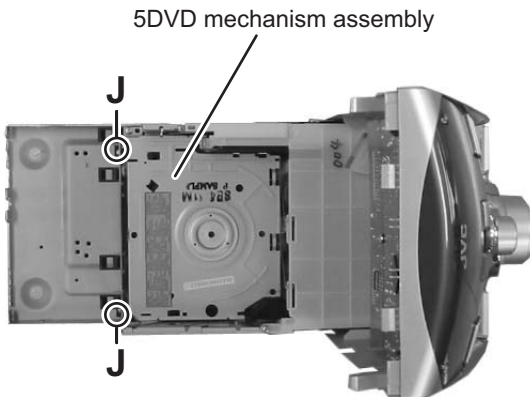


Fig.9

3.1.6 Removing the front cabinet assembly (See Figs.12 to 14)

- Remove the top cabinet, the rear cabinet, the AMP board and 5DVD mechanism assembly.
 - From the top side of the main body, remove the one screw **M** attaching the earth wires on the bottom cabinet. (See Fig.12)
 - From the both side of the main body, remove the two screws **N** attaching the front cabinet assembly. (See Fig.13)
 - From the both and bottom side of the main body, disengage the two hooks **e** and one hook **f** and remove the front cabinet assembly from the main body in the direction of the arrow. (See Fig.13, 14)

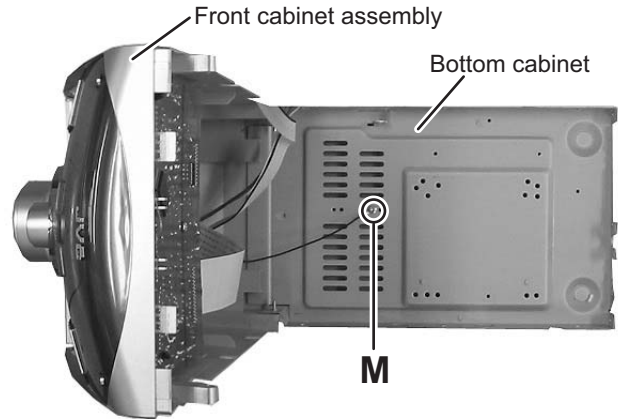


Fig.12

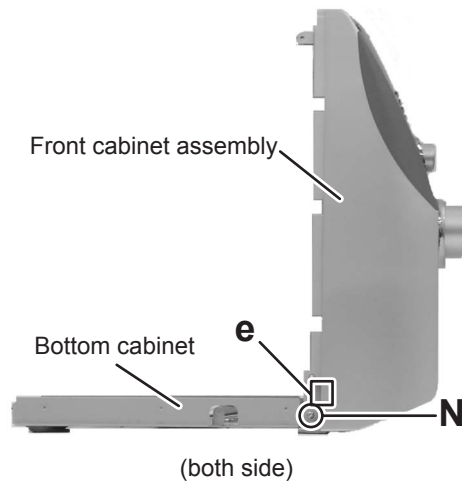


Fig.13

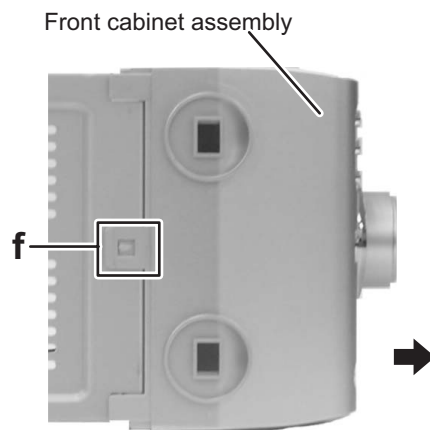


Fig.14

3.1.7 Removing the front VFD board (See Fig.15)

- Remove the top cabinet, the rear cabinet, the AMP board, 5DVD mechanism assembly and the front cabinet assembly.
 - From the inside of the front cabinet assembly, remove the four screws **P** attaching the front VFD board.
 - Take out the front VFD board from the front cabinet assembly and disconnect the card wire from the connector [FW102](#) on the forward side of the front VFD board.

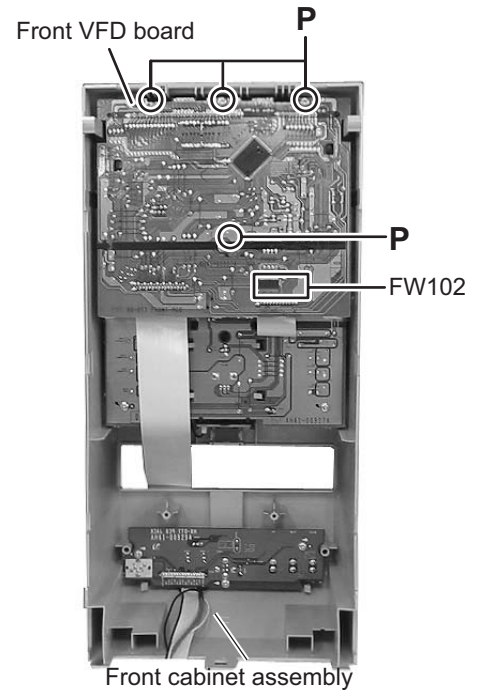


Fig.15

3.1.8 Removing the front key board (See Fig.16, 17)

- Remove the top cabinet, the rear cabinet, the AMP board, 5DVD mechanism assembly, the front cabinet assembly and the front VFD board.
 - From the inside of the front cabinet assembly, remove the seven screws **Q** attaching the front key board. (See Fig.16)
 - Release the two claws **g** and the four claws **h** and then remove the front key board from the front cabinet assembly. (See Fig.16)
 - Remove the knobs from the front side simultaneously. (See Fig.17)
 - Take out the front key board while lifting it from the front cabinet assembly little by little.

3.1.9 Removing the phone board (See Fig.16)

- Remove the top cabinet, the rear cabinet, the AMP board, 5DVD mechanism assembly and front cabinet assembly.
 - From the inside of the front cabinet assembly, remove the three screws **R** attaching the phone board.
 - Take out the phone board from the front cabinet assembly.

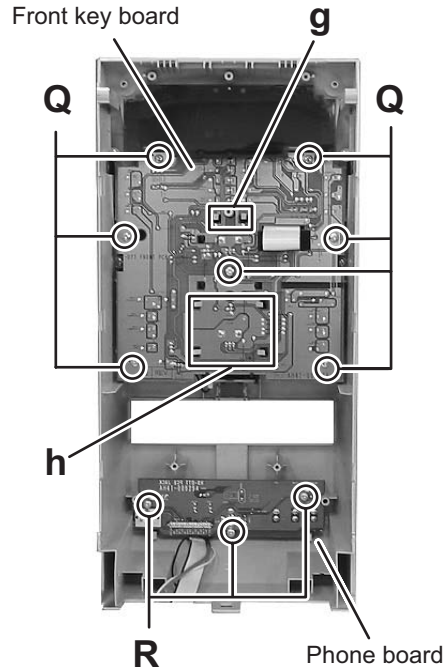


Fig.16

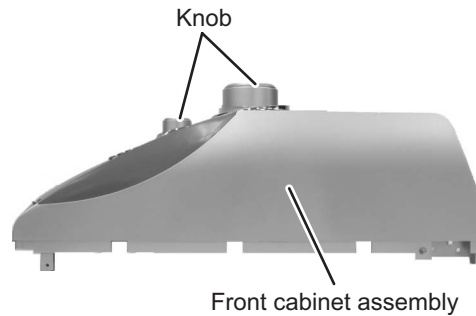


Fig.17

3.1.10 Removing the jog LED board, volume LED board and USB LED board (See Fig.18)

- Remove the top cabinet, the rear cabinet, the AMP board, the 5DVD mechanism assembly, the front cabinet assembly, the front VFD board and the front key board.
 - From the front side of the front key board, release the ten claws **j** and remove the jog LED board, the volume LED board and the USB LED board from the front key board.
 - Disconnect the wires from the connectors [FW202](#), [FW203](#), [FW204](#) of the front key board.
 - Take out the jog LED board, volume LED board and USB LED board from the front key board.

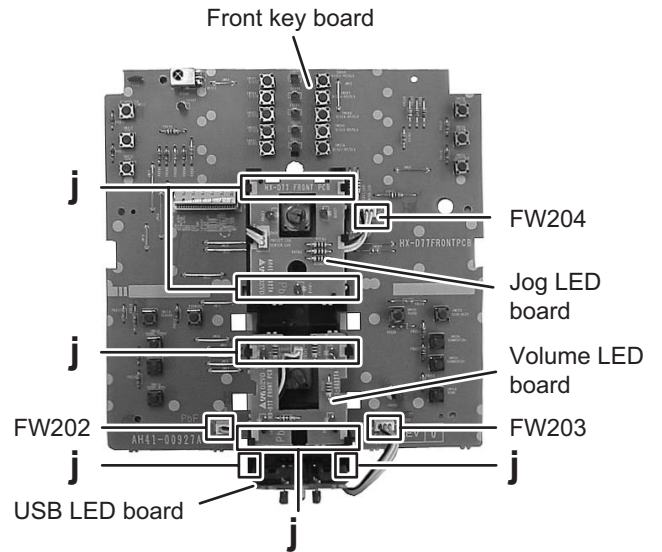


Fig.18

SECTION 4 ADJUSTMENT

This service manual does not describe ADJUSTMENT.

SECTION 5 TROUBLESHOOTING

This service manual does not describe TROUBLESHOOTING.



JVC

Victor Company of Japan, Limited
Audio/Video Systems Category 10-1, 1chome, Ohwatari-machi, Maebashi-city, 371-8543, Japan

(No.MB556)

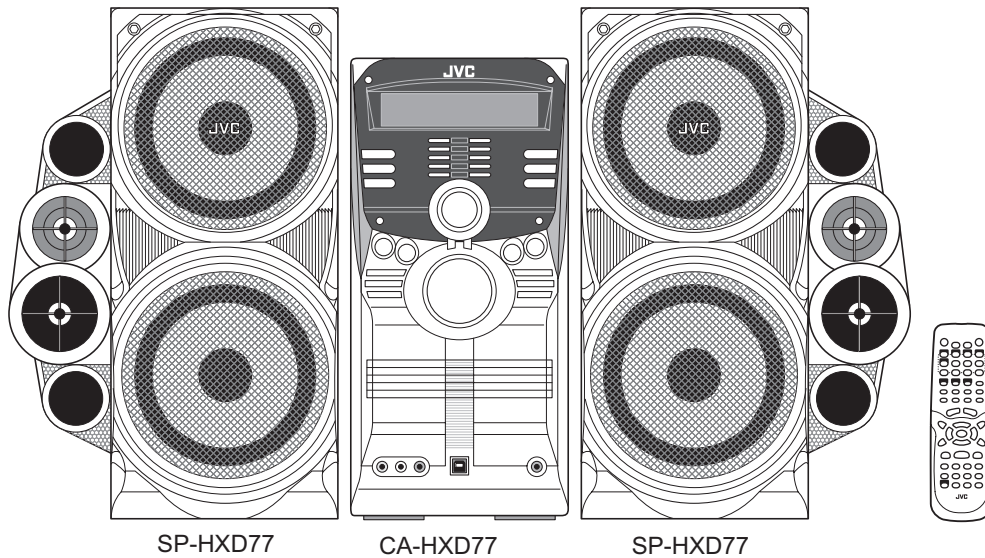
JVC

SCHEMATIC DIAGRAMS

COMPACT COMPONENT SYSTEM

HX-D77UJ

CD-ROM No.SML200608



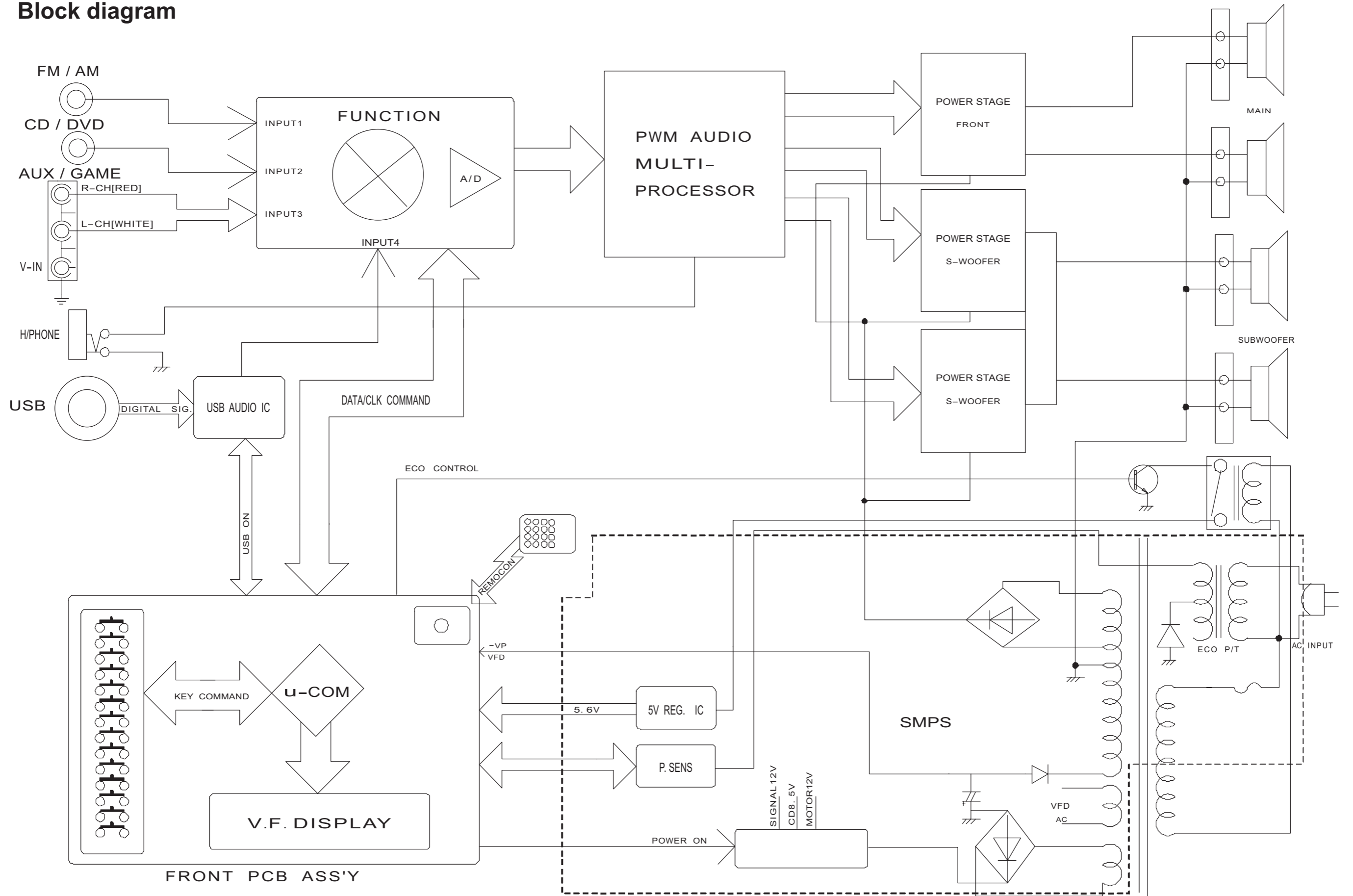
Lead free solder used in the board (material : Sn-Ag-Cu, melting point : 219 Centigrade)

Contents

Block diagrams	2-1
Standard schematic diagrams	2-2
Printed circuit boards	2-9 to 15

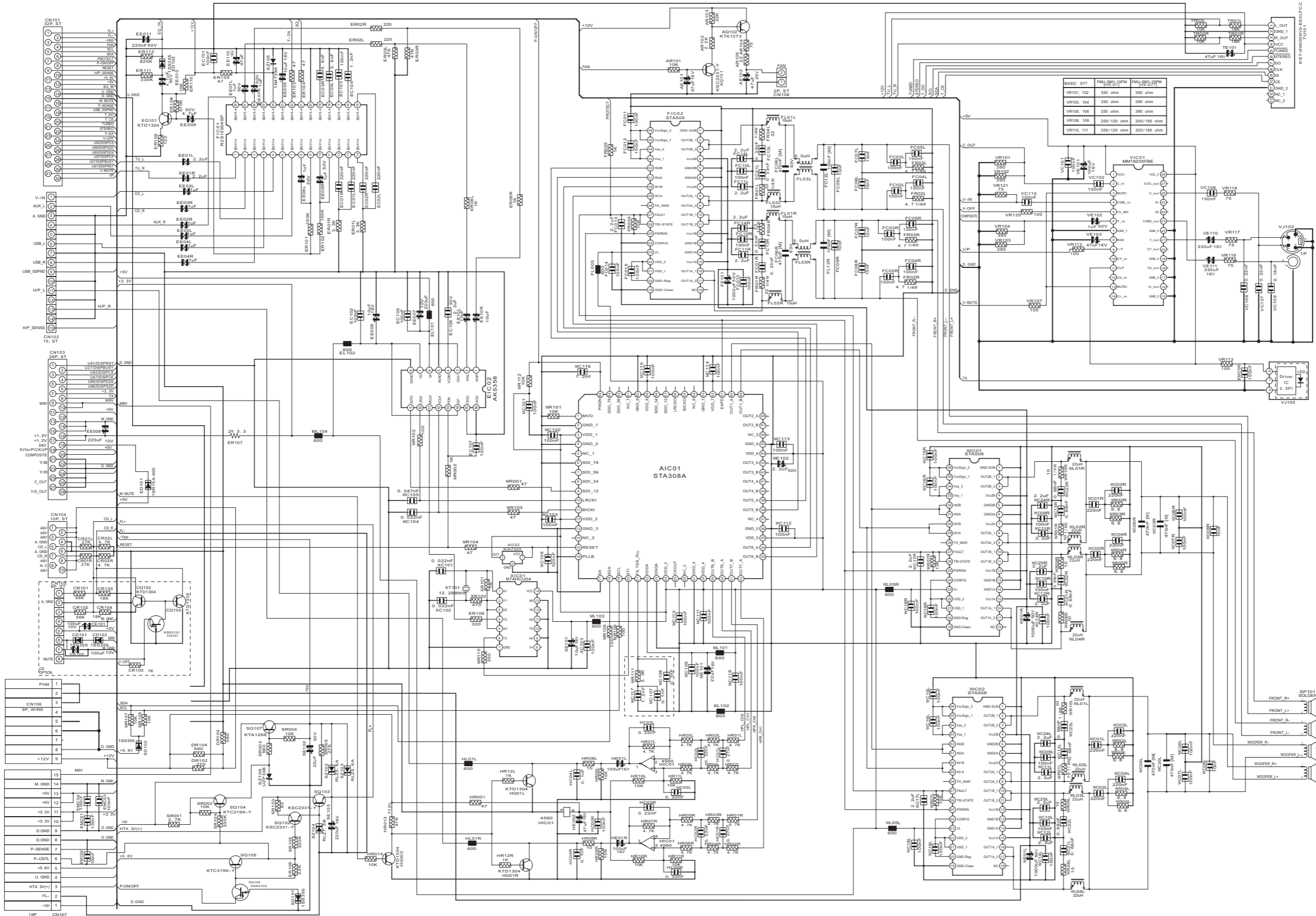
In regard with component parts appearing on the silk-screen printed side (parts side) of the PWB diagrams, the parts that are printed over with black such as the resistor (■), diode (▣) and ICP (●) or identified by the "▲" mark nearby are critical for safety.

Block diagram

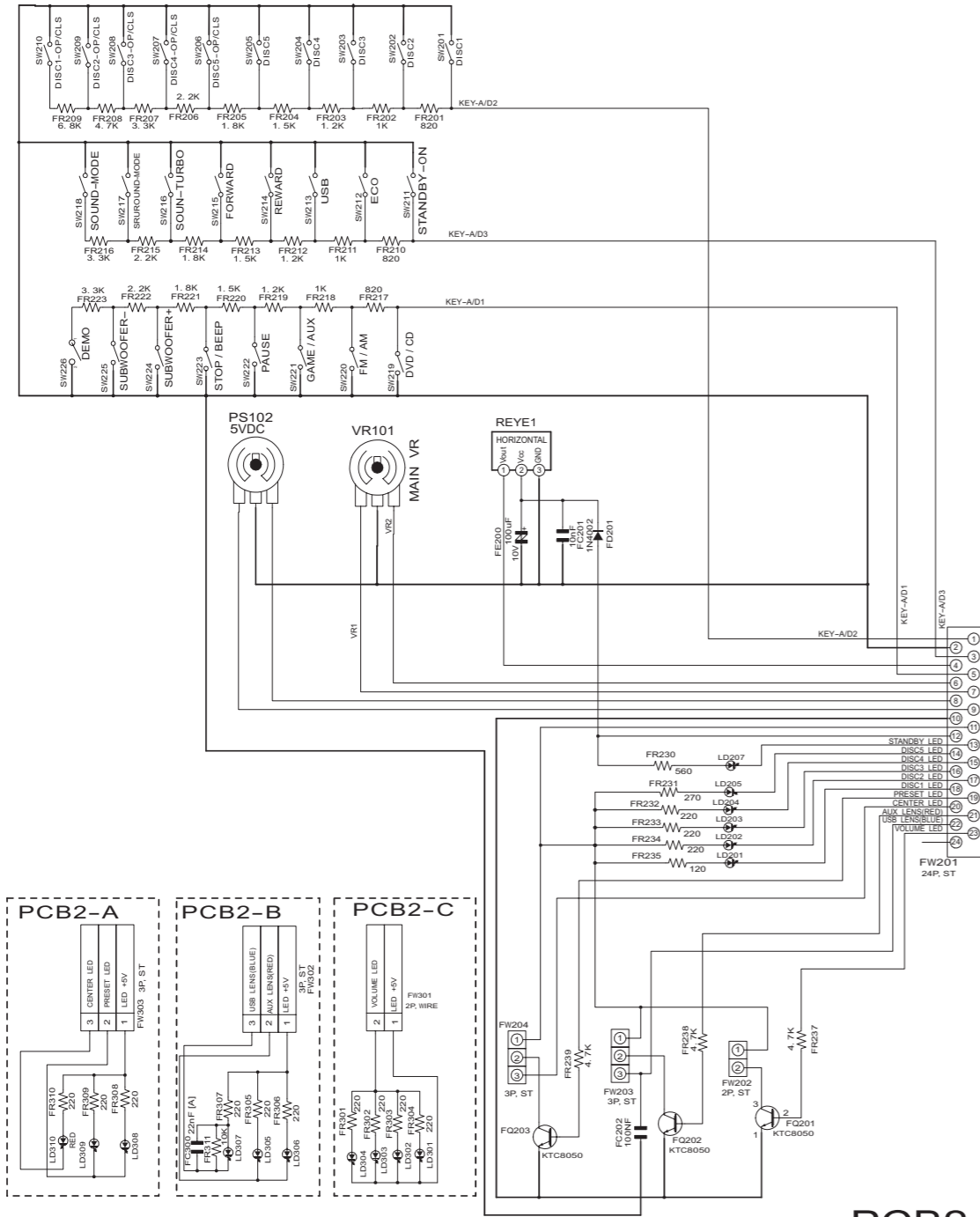


Standard schematic diagrams

■ Main amplifier section

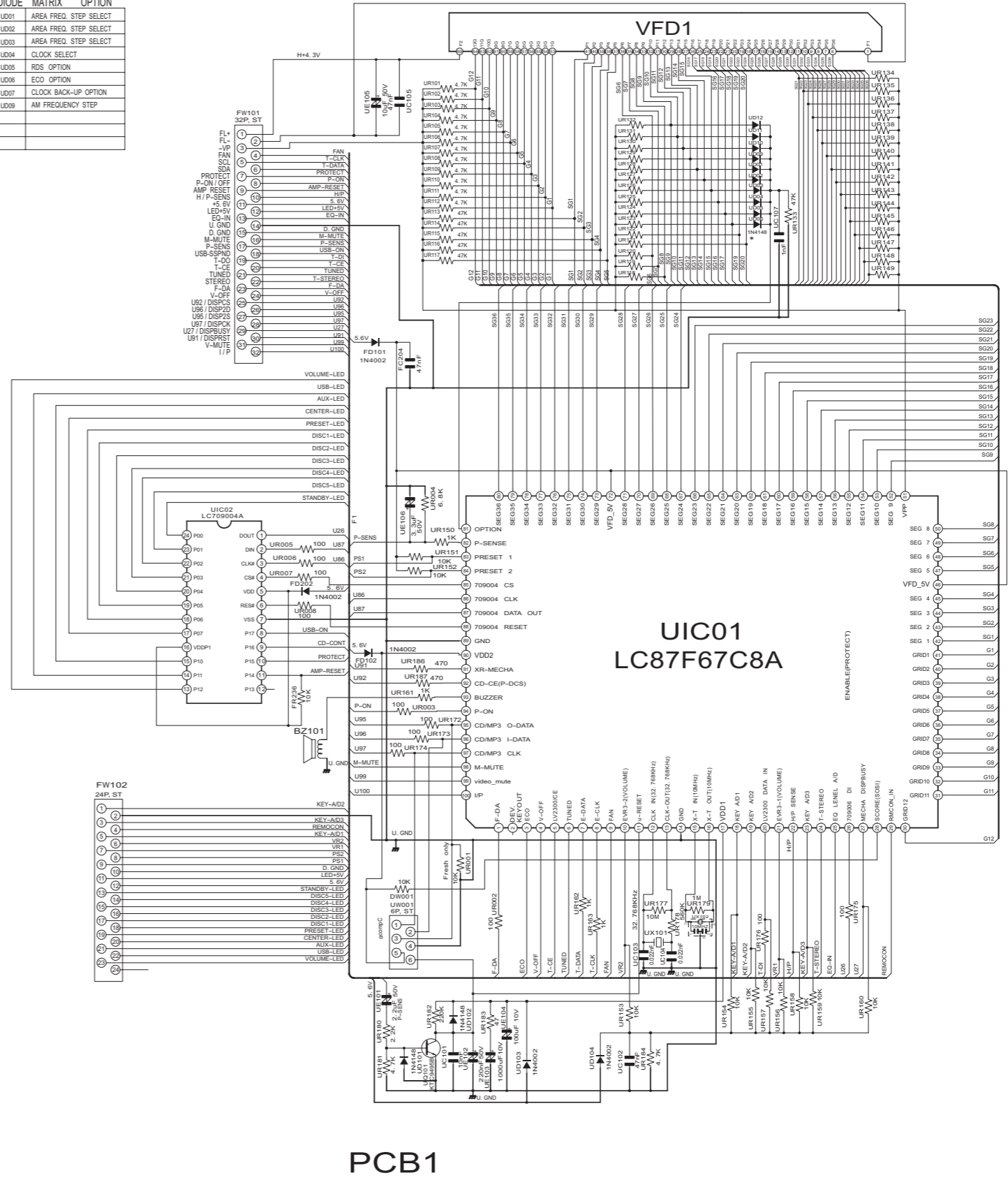


■ Front section



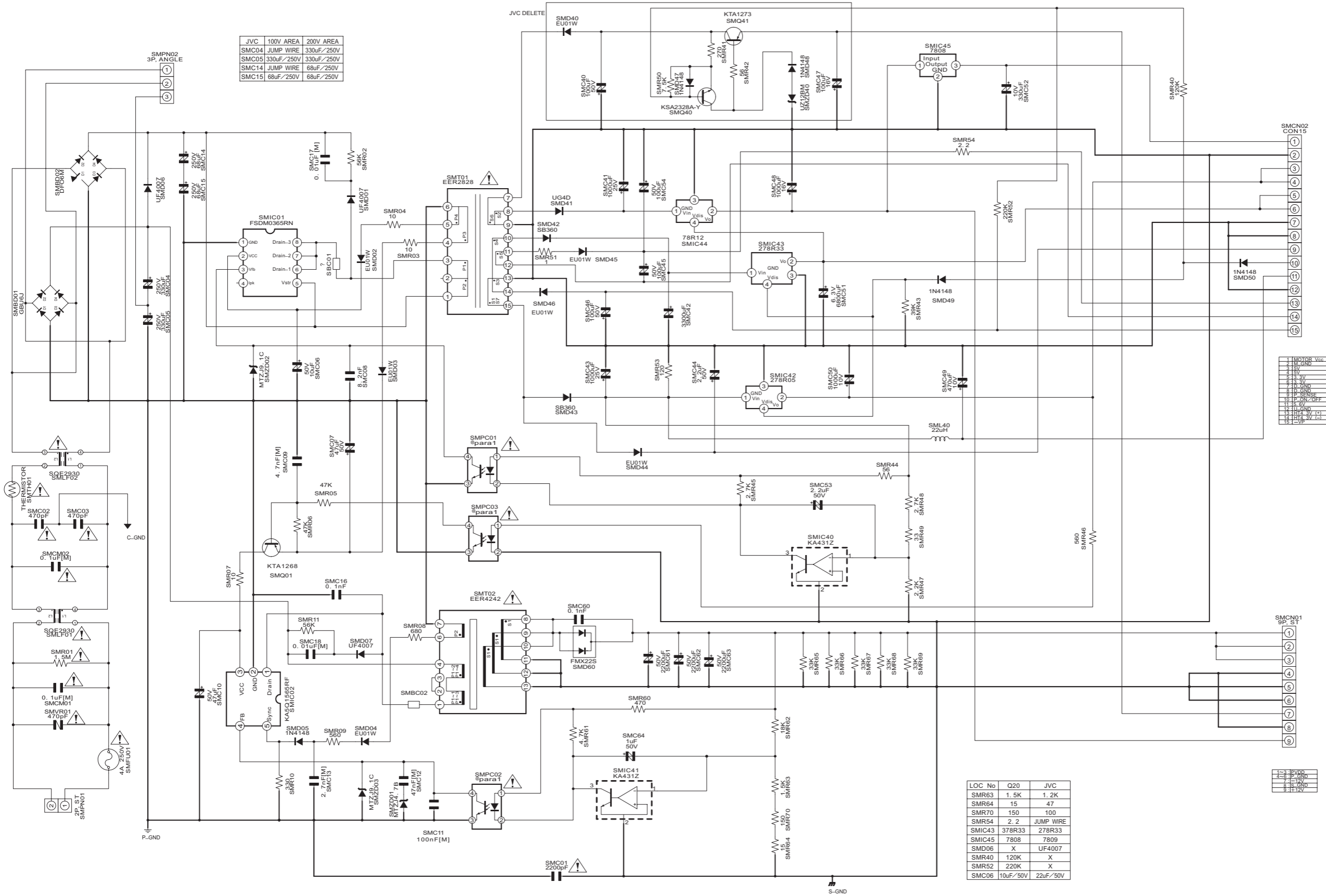
PCB2

DIODE MATRIX OPTION	
UD01	AREA FREQ. STEP SELECT
UD02	AREA FREQ. STEP SELECT
UD03	AREA FREQ. STEP SELECT
UD04	CLOCK SELECT
UD05	RDS OPTION
UD06	ECO OPTION
UD07	CLOCK BACK-UP OPTION
UD09	AM FREQUENCY STEP



PCB1

■ SMPS section



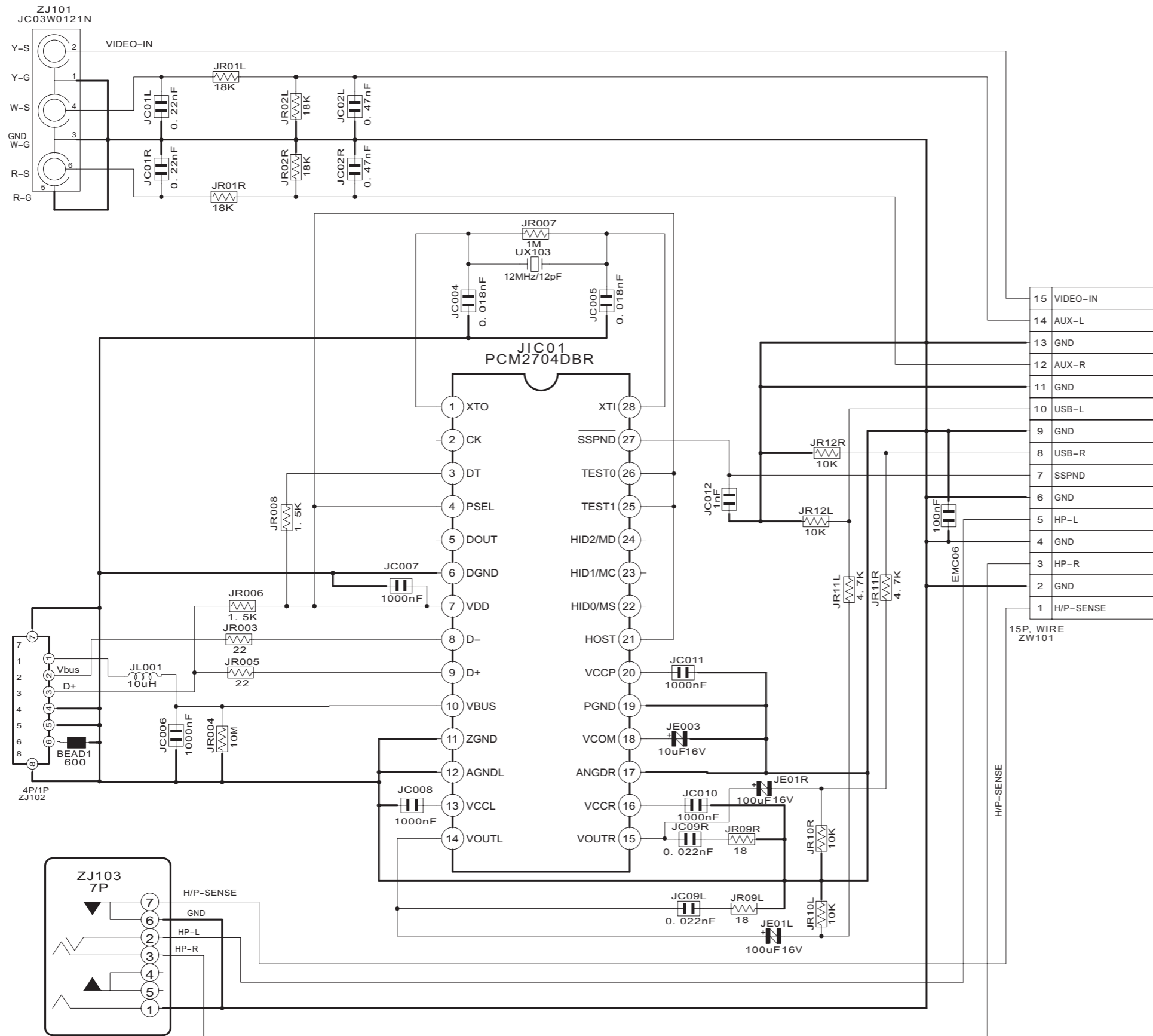
JVC	100V AREA	200V AREA
SMC04	JUMP WIRE	330uF/250V
SMC05	330uF/250V	330uF/250V
SMC14	JUMP WIRE	68uF/250V
SMC15	68uF/250V	68uF/250V

1	110VDC Vcc
2	1M GND
3	5.1V
4	3.3V
5	1.5V
6	1.2V
7	10 GND
8	10 GND
9	10 GND
10	10 GND
11	1.5V
12	1.2V
13	1.5V (C)
14	1.2V (C)
15	1.2V (C)

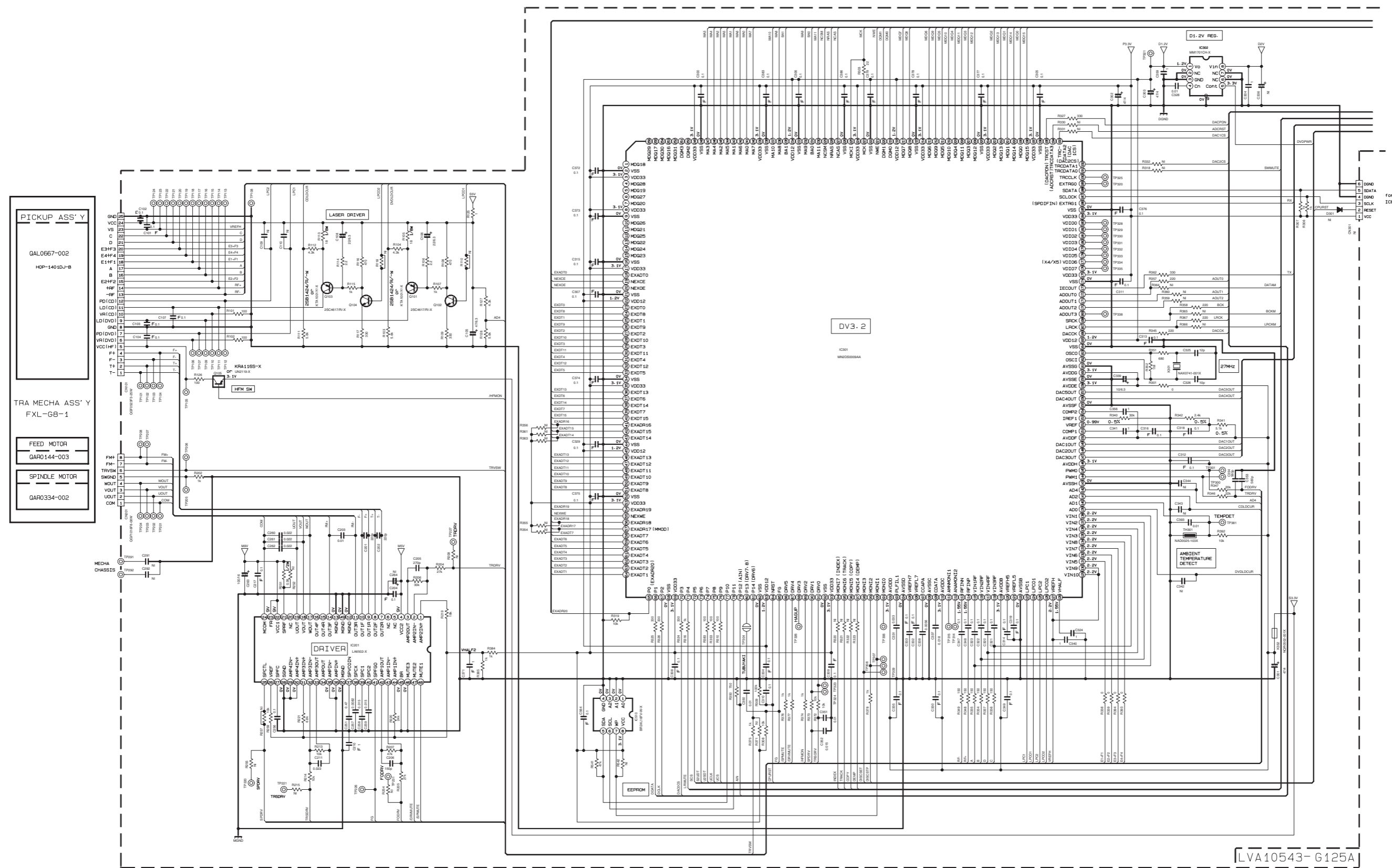
LOC No	Q20	JVC
SMR63	1.5K	1.2K
SMR64	15	47
SMR70	150	100
SMR54	2.2	JUMP WIRE
SMIC43	378R33	278R33
SMIC45	7808	7809
SMD06	X	UF4007
SMR40	120K	X
SMR52	220K	X
SMC06	10uF/50V	22uF/50V

1-3	BVDD
4-5 <td>P-GND</td>	P-GND
6-7 <td>VCC</td>	VCC
8	S-GND
9-12	

Jack section

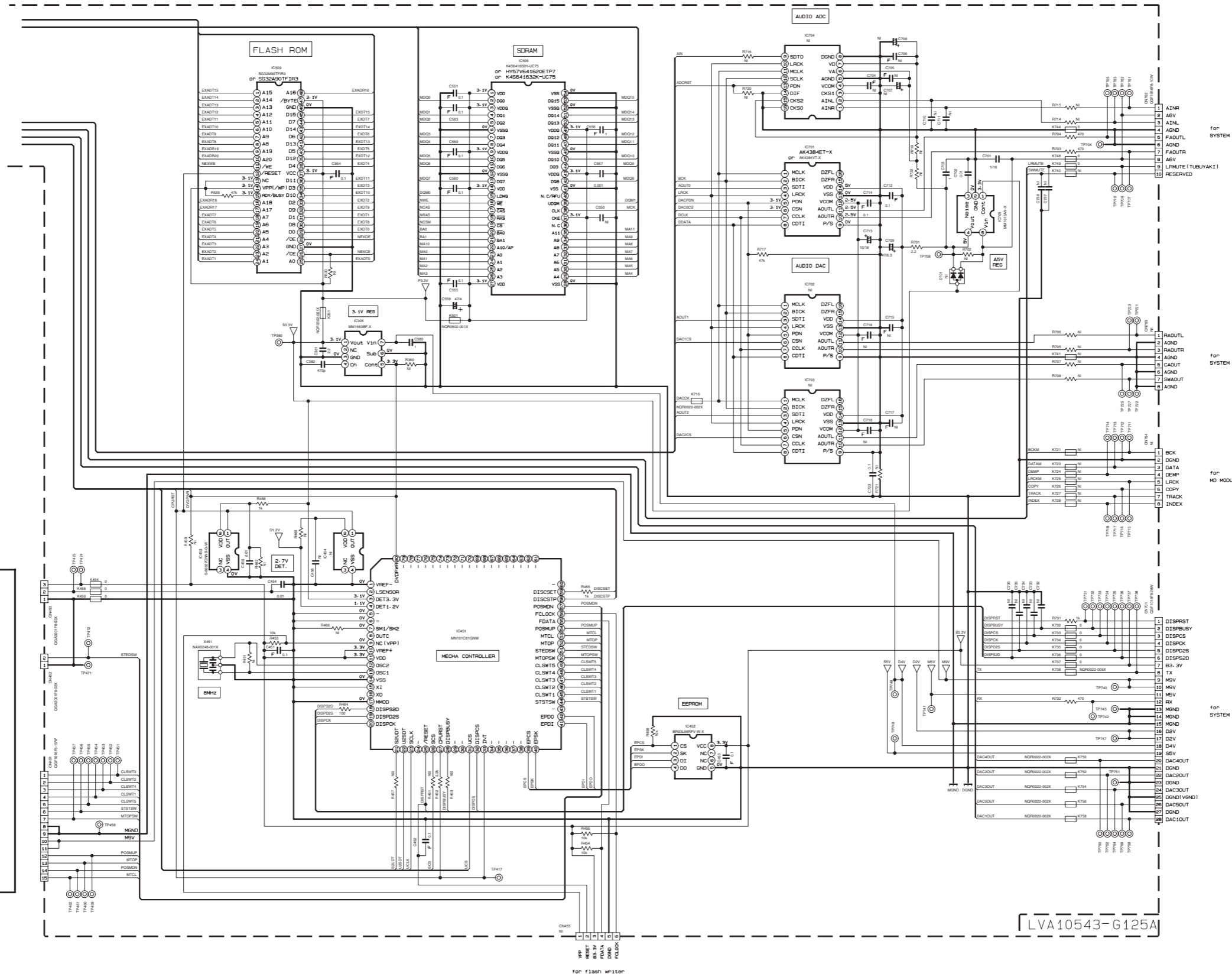


■ DVD section (1/2)



LVA10543-G125A

■ DVD section (2/2)



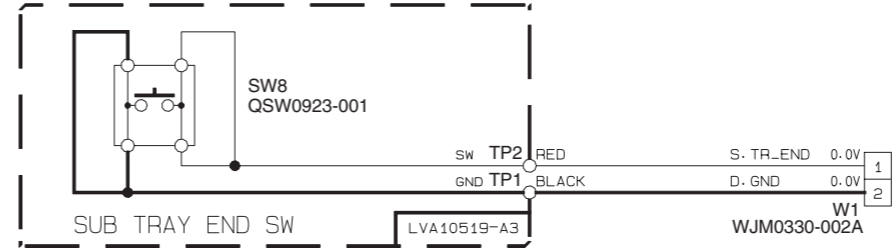
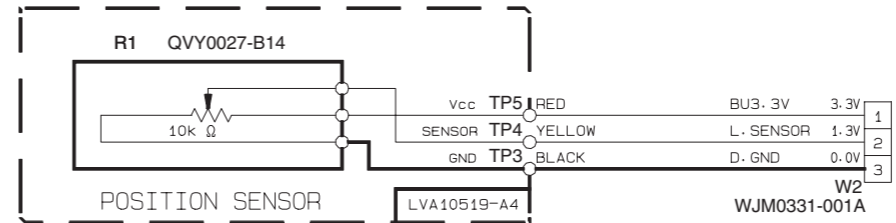
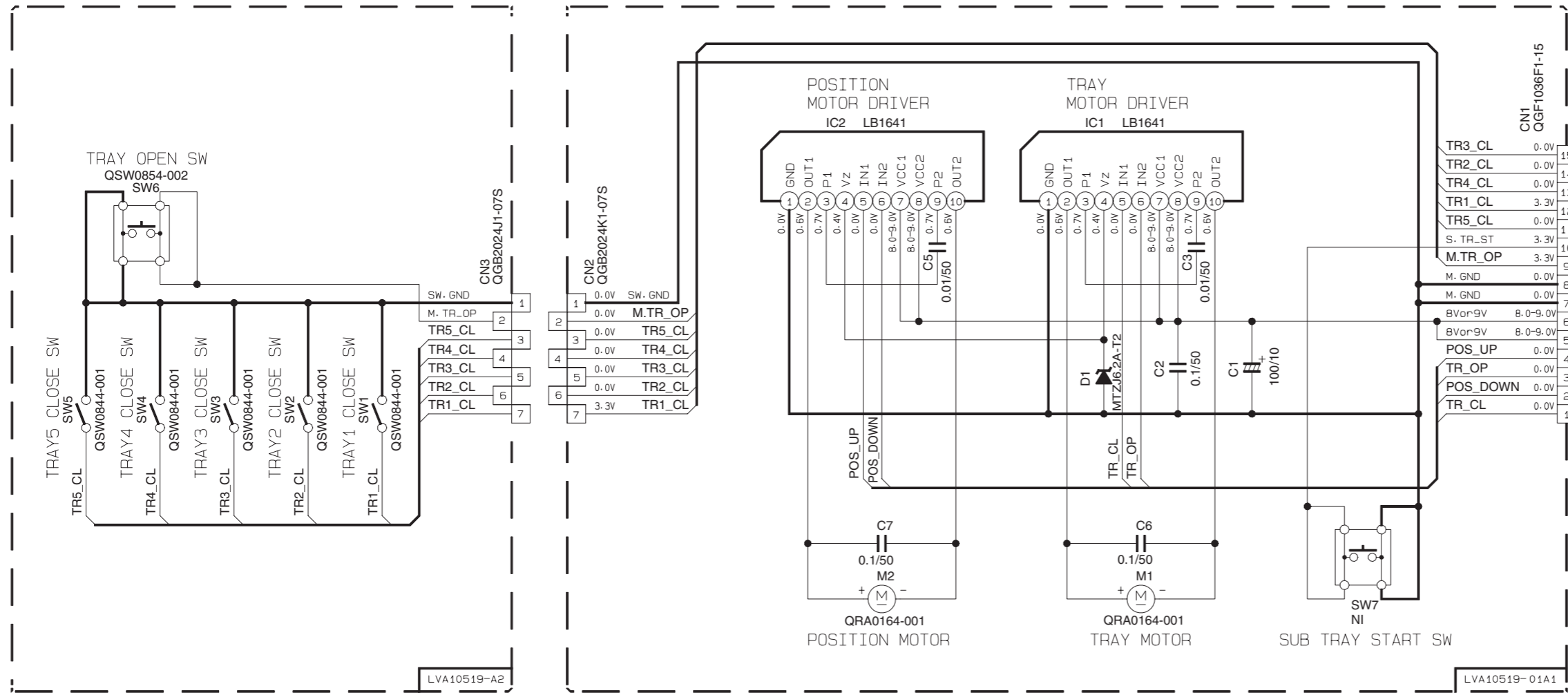
LOADER ASS'Y
CH5-BASE-1M

See
LVS20135-001A

LVA10543-G125A

- NOTES**
1. VOLTAGES ARE DC-MEASURED WITH A DIGITAL VOLT METER WITHOUT INPUT SIGNAL. CONDITION --- A DVD disc in the Tray 1, and STOP mode.
 2. UNLESS OTHERWISE SPECIFIED:
ALL RESISTORS ARE 1/16W ±5% METAL GLAZE RESISTOR, OR 0.5X METAL GLAZE RESISTOR.
ALL CAPACITORS ARE 50V, 25V, 16V, 10V or 6.3V CERAMIC CAPACITOR.
ALL RESISTANCE VALUES ARE IN OHM (Ω).
ALL CAPACITANCE VALUES ARE IN PICO (pF).
ALL E-CAPACITORS ARE SHOWN IN THE FORM OF CAPACITANCE/ (RATED VOLTAGE (V)).
ALL INDUCTANCE VALUES ARE IN HENRY (mH).
 3. NI STANDS FOR NOT INVERTED PARTS.
4. DIGITAL TRANSISTOR
-

■ DVD loader section



TO POWER AND MECHA CONTROL MICOM

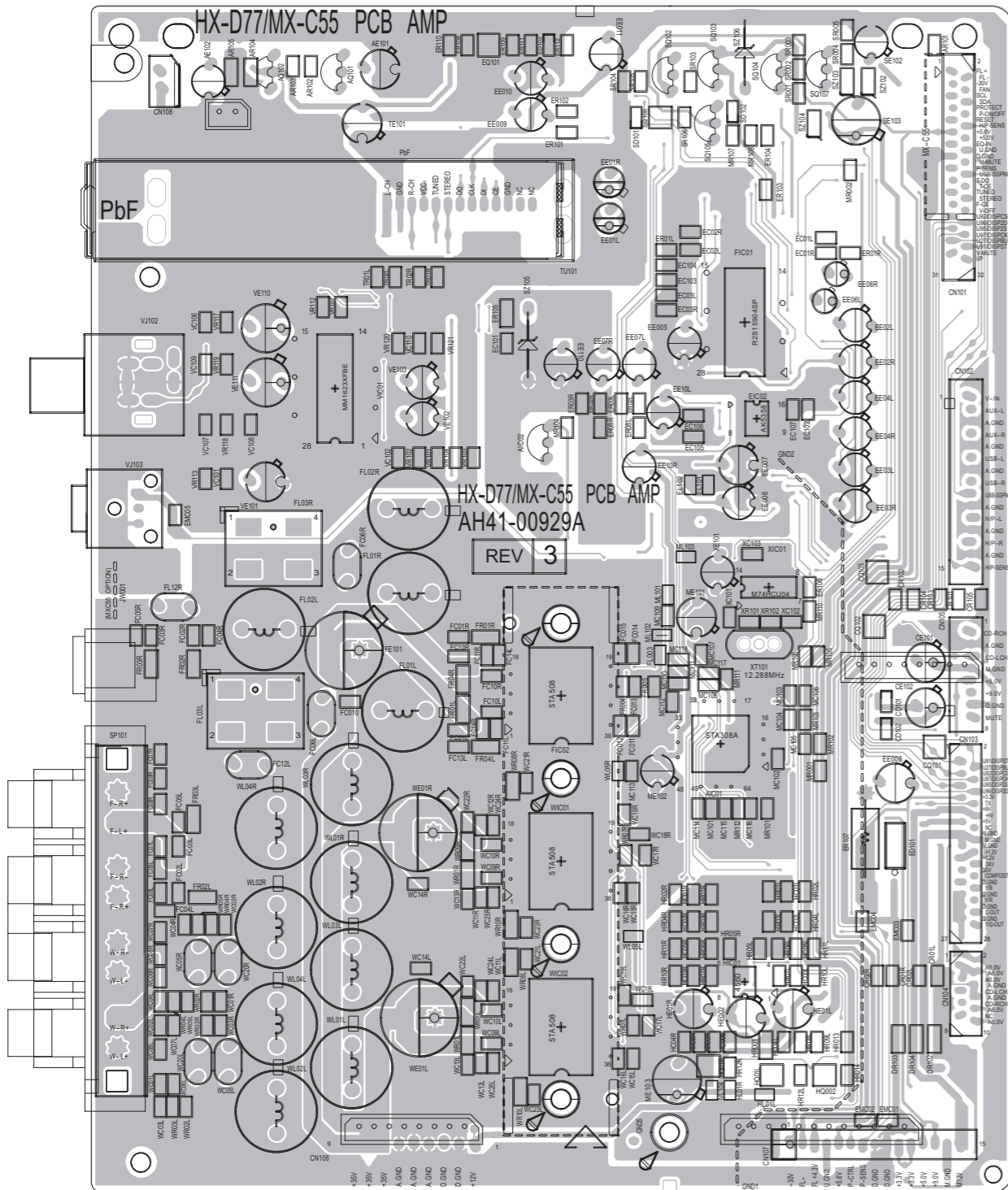
NOTES

1. VOLTAGES ARE DC-MEASURED WITH A DIGITAL VOLT METER. CONDITION: DISC1 STOP
2. UNLESS OTHERWISE SPECIFIED. ALL CAPACITORS ARE SHOWN IN THE FORM OF CAPACITANCE (μF)/RATED VOLTAGE (V).
3. NI STANDS FOR NOT INSERTED PARTS.

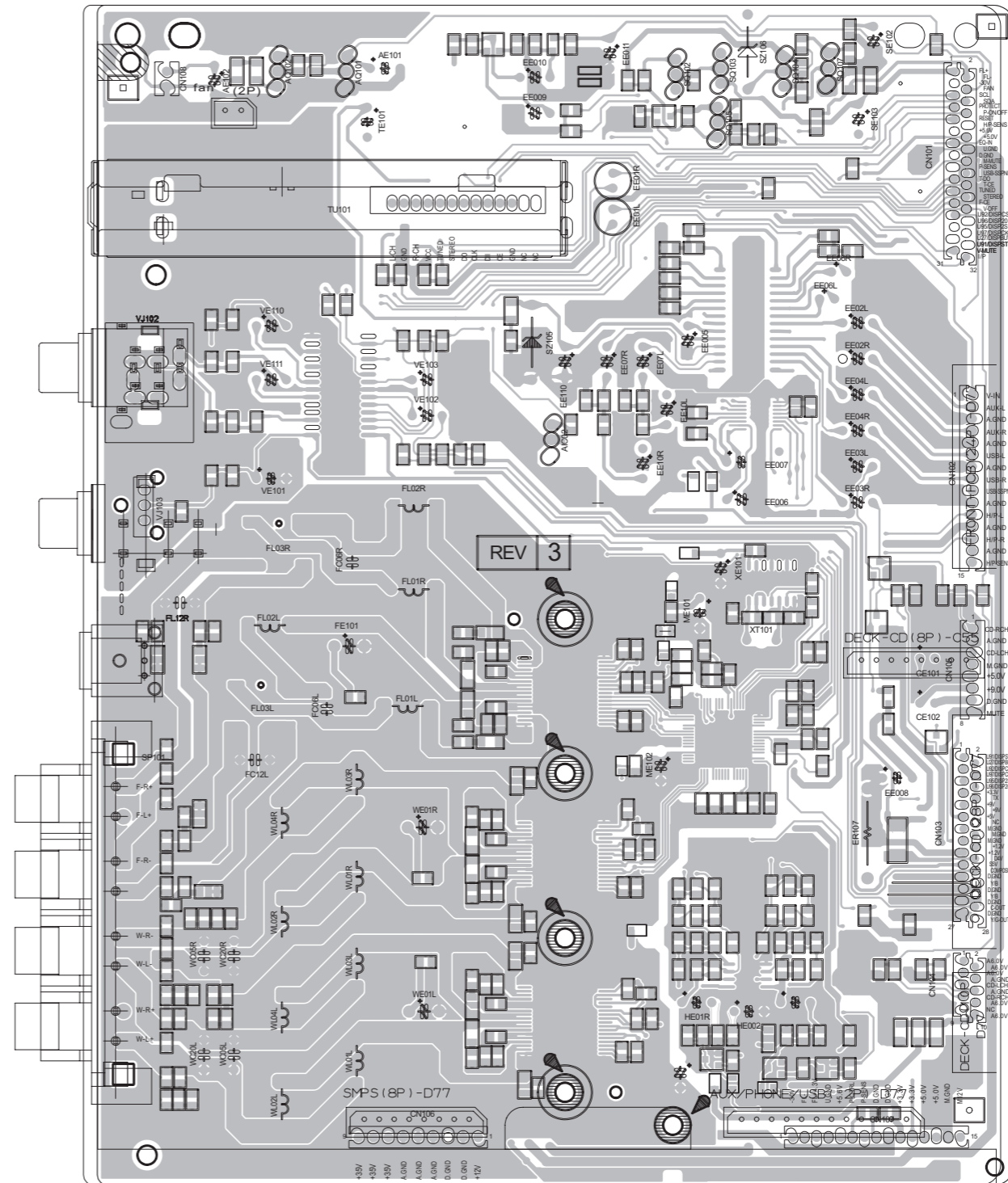
Printed circuit boards

■ Amplifier board Lead free solder used in the board (material : Sn-Ag-Cu, melting point : 219 Centigrade)

forward side



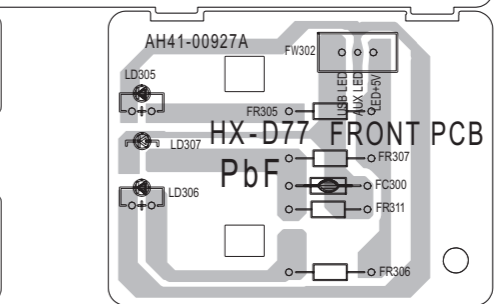
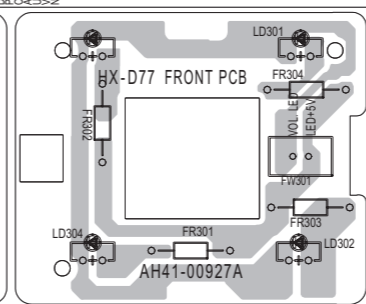
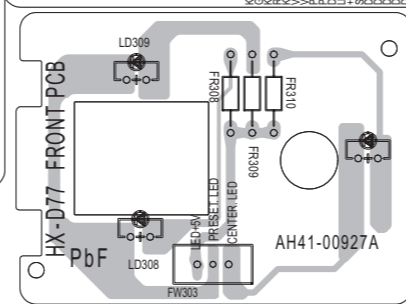
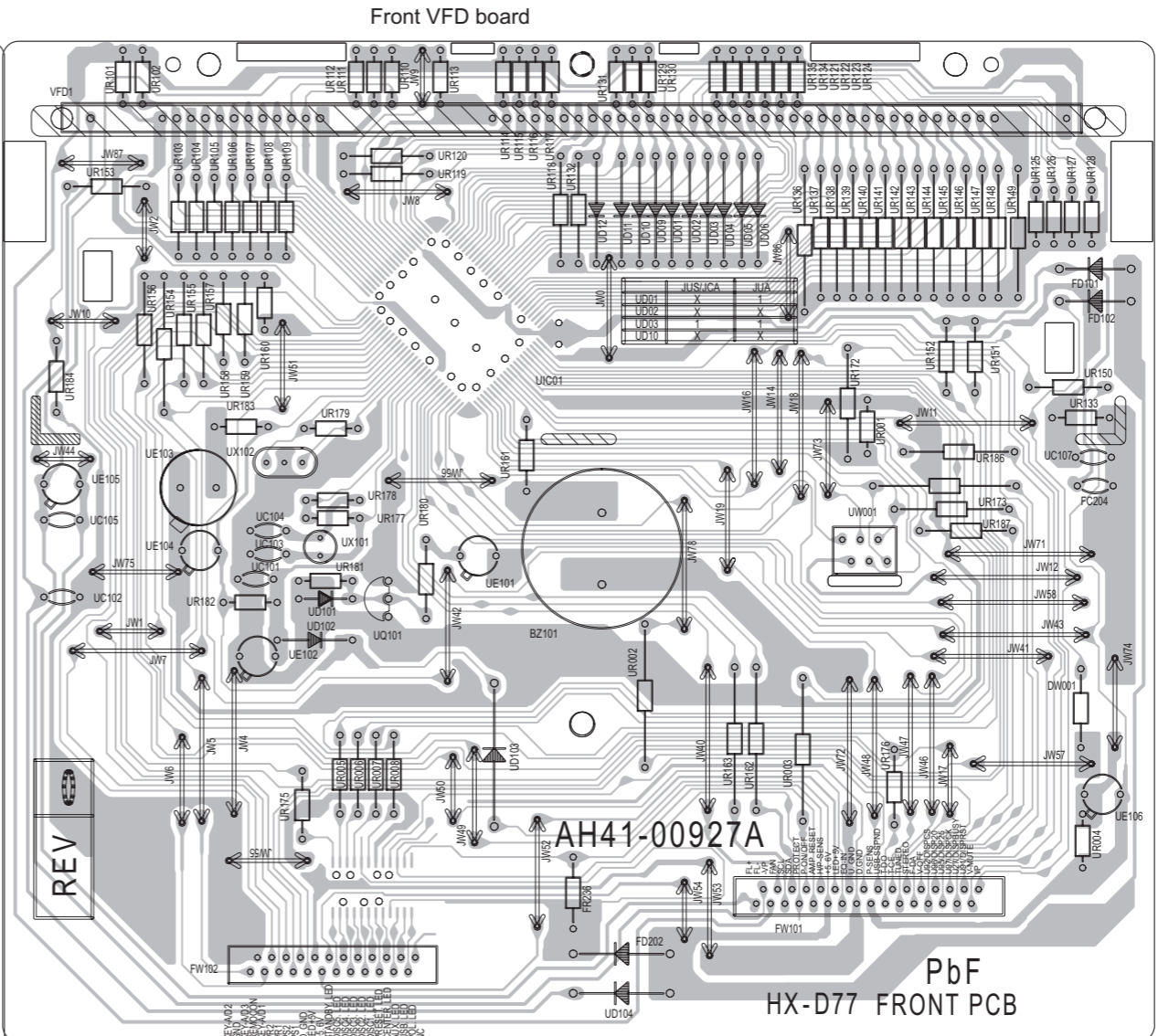
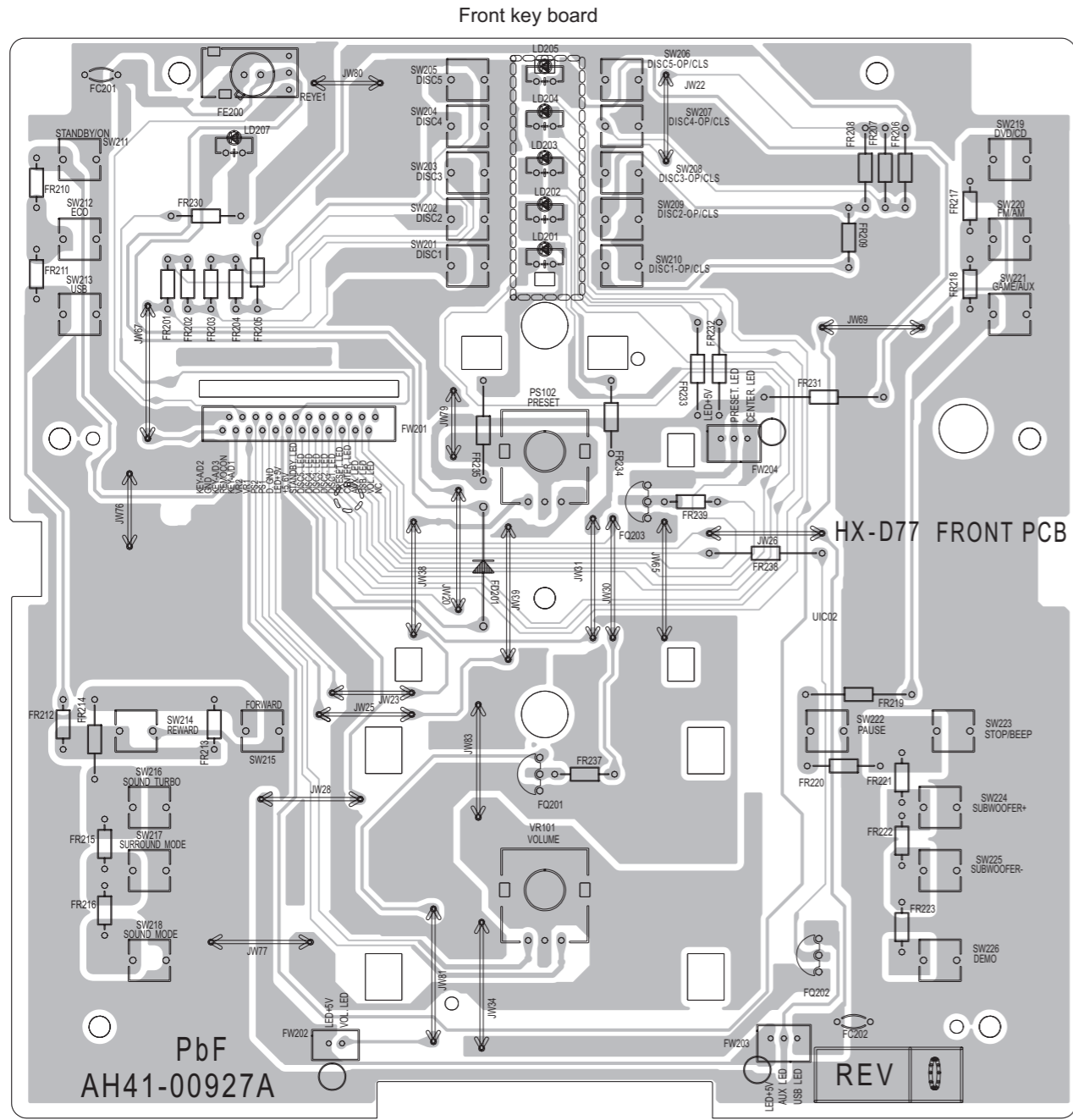
reverse side



■ Front board

Lead free solder used in the board (material : Sn-Ag-Cu, melting point : 219 Centigrade)

forward side

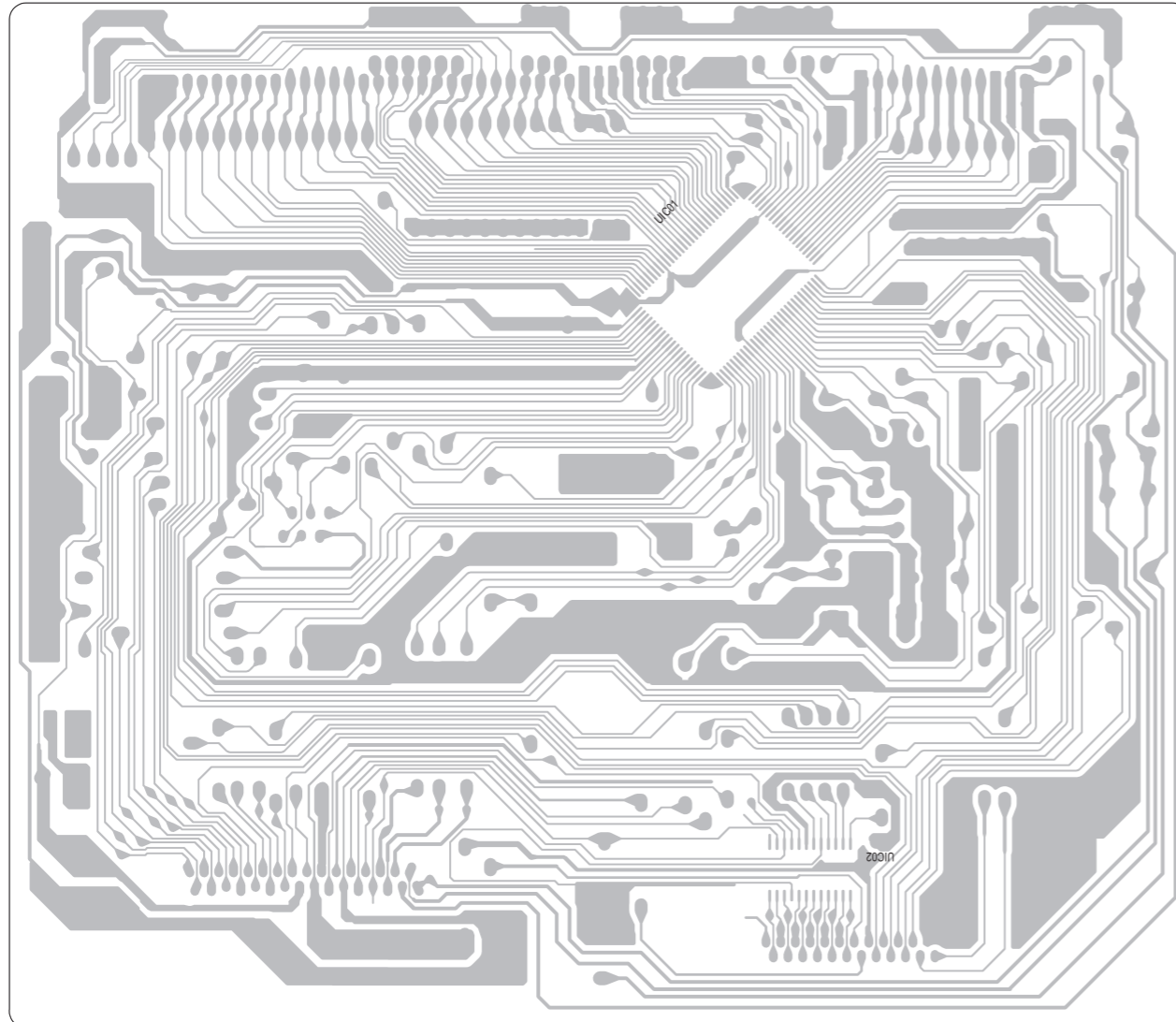


■ Front board

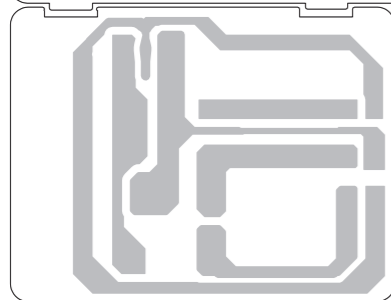
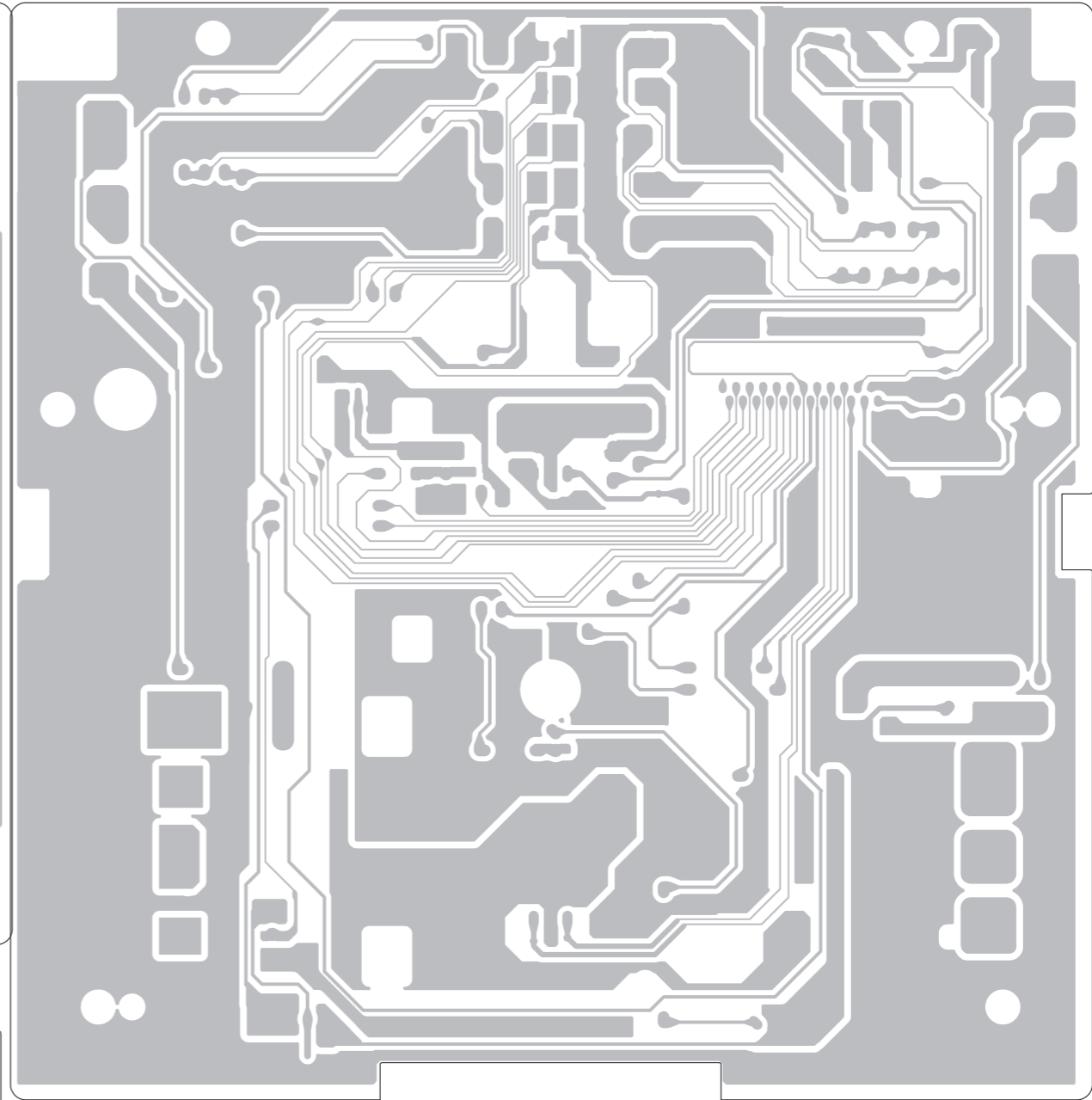
Lead free solder used in the board (material : Sn-Ag-Cu, melting point : 219 Centigrade)

reverse side

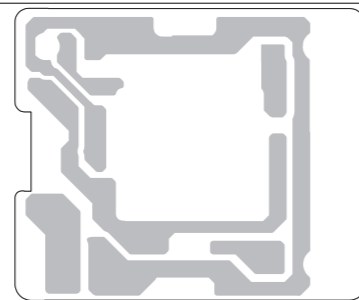
Front VFD board



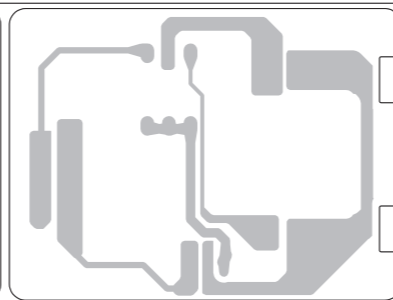
Front key board



USB LED board

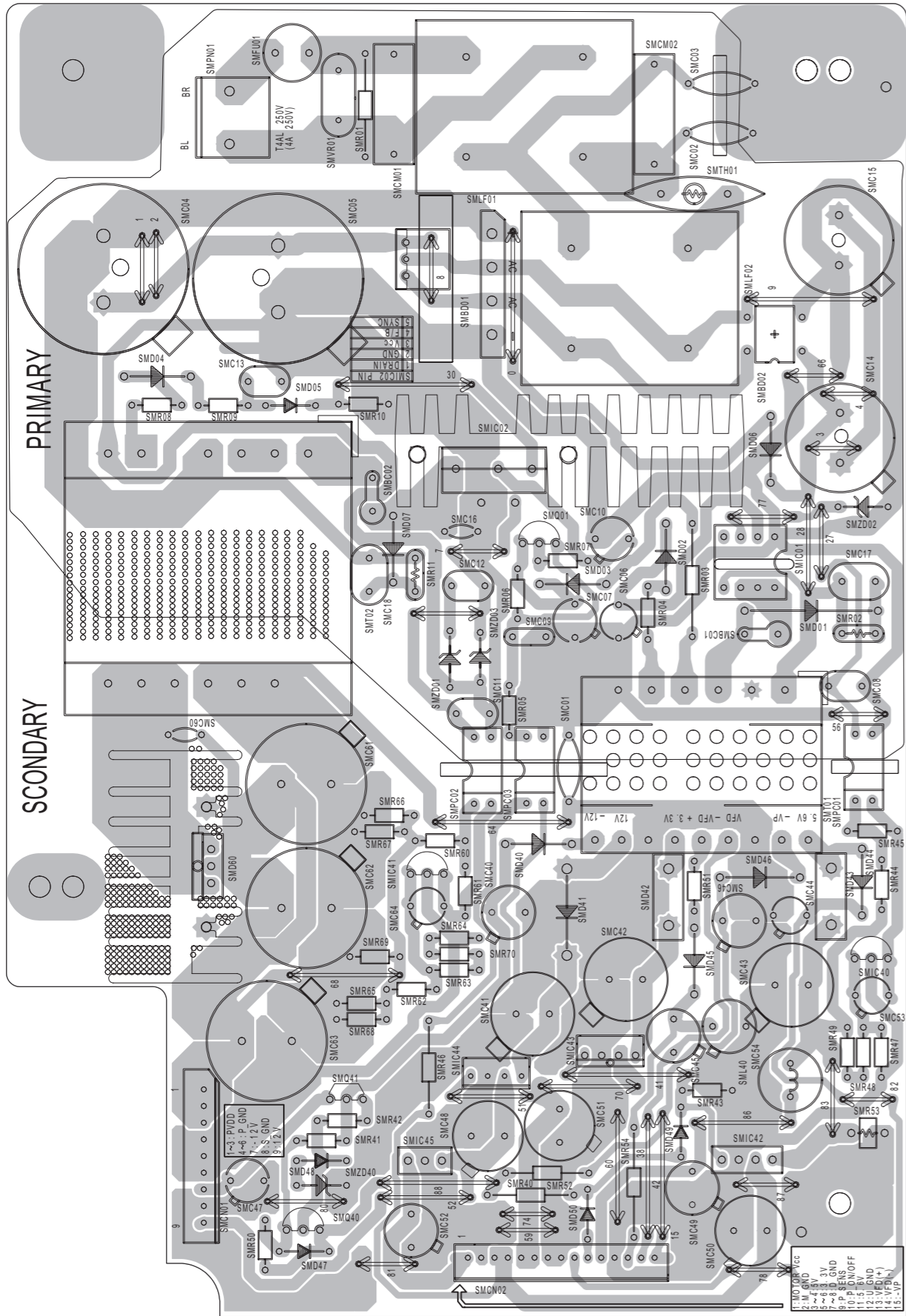


Volume LED board

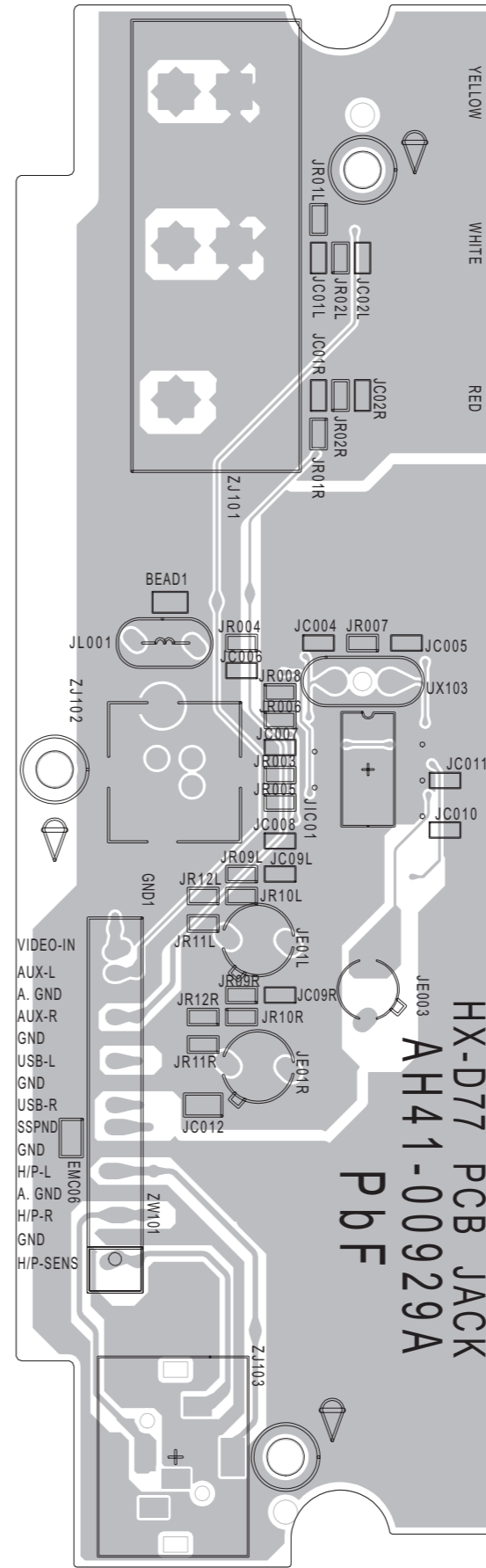


Jog LED board

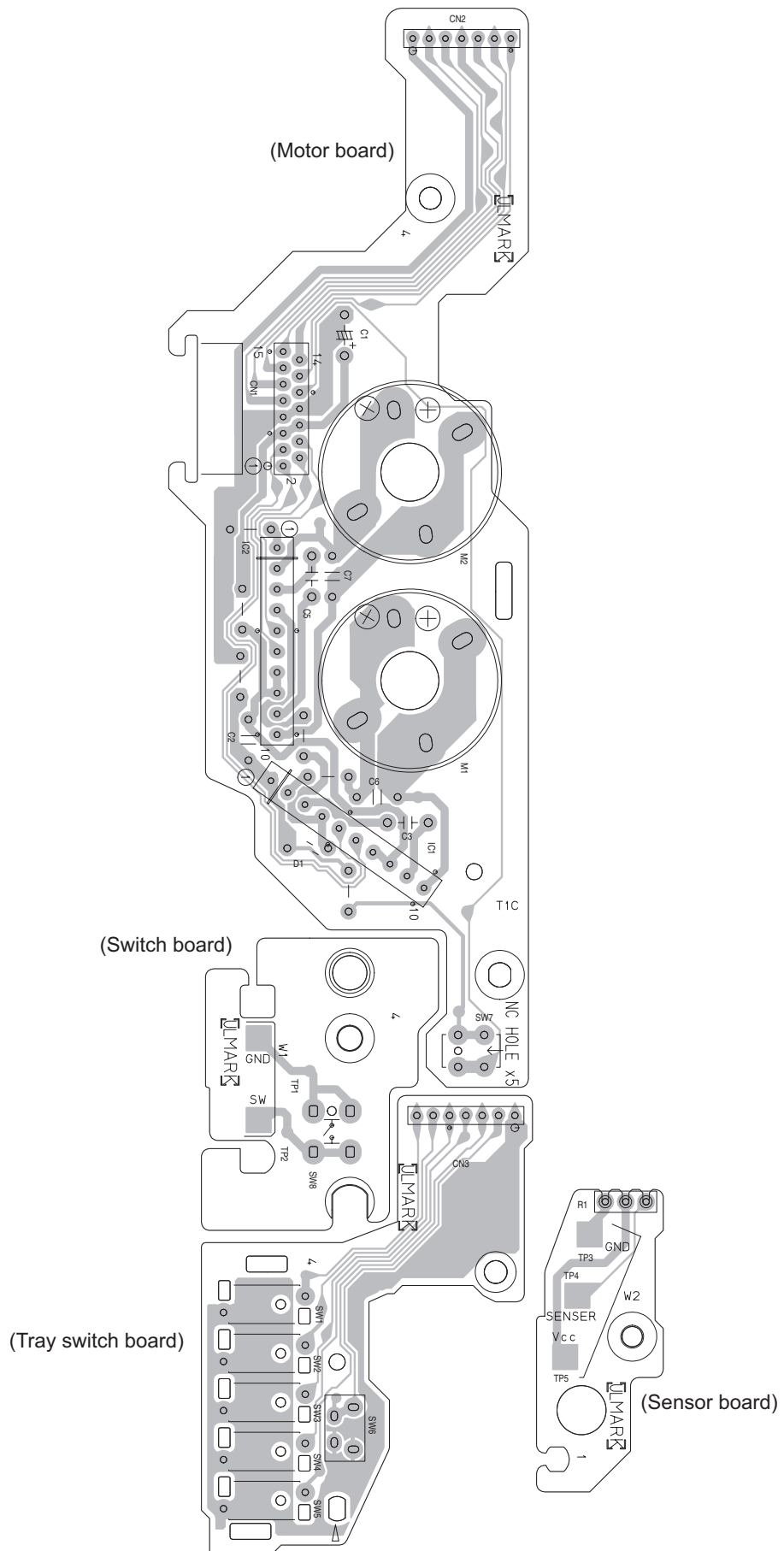
■ **SMPS board** Lead free solder used in the board (material : Sn-Ag-Cu, melting point : 219 Centigrade)



■ **Phone board** Lead free solder used in the board (material : Sn-Ag-Cu, melting point : 219 Centigrade)



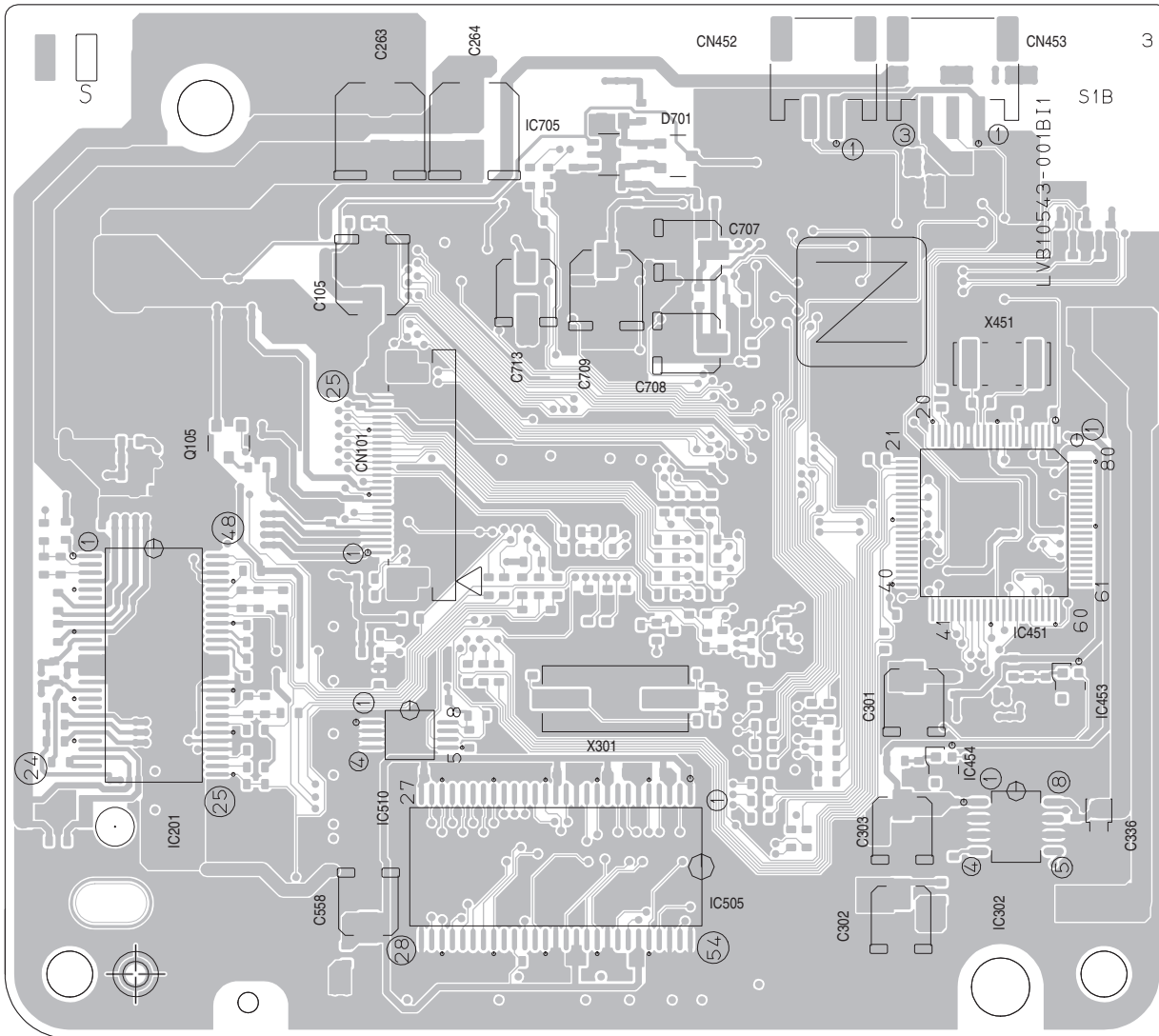
■ **Loader board** Lead free solder used in the board (material : Sn-Ag-Cu, melting point : 219 Centigrade)



■ DVD board

Lead free solder used in the board (material : Sn-Ag-Cu, melting point : 219 Centigrade)

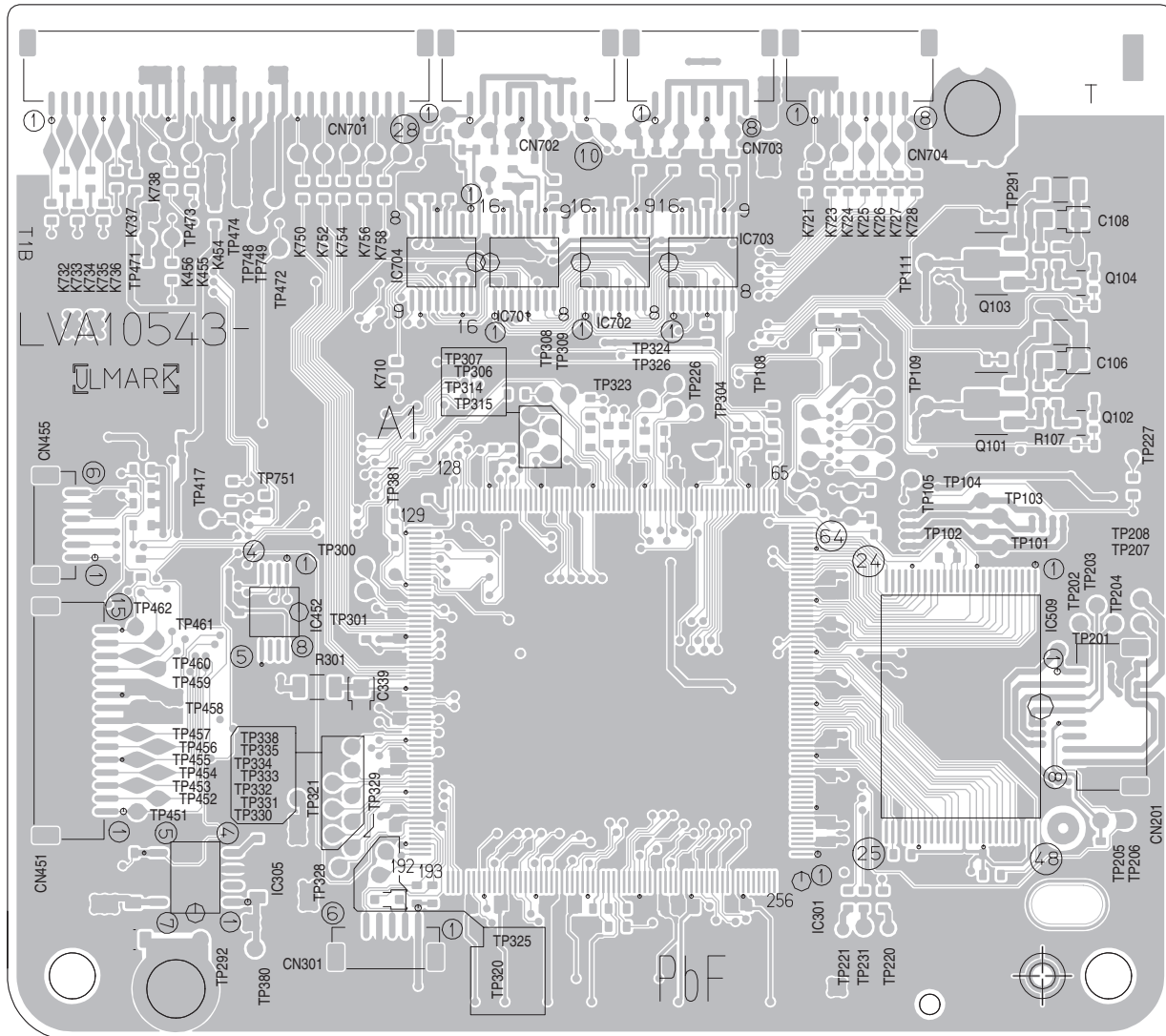
forward side



■ DVD board

Lead free solder used in the board (material : Sn-Ag-Cu, melting point : 219 Centigrade)

reverse side



JVC

Victor Company of Japan, Limited

Audio/Video Systems Category 10-1, 1chome, Ohwatari-machi, Maebashi-city, 371-8543, Japan

(No.MB556SCH)



Printed in Japan
VPT

PARTS LIST

HX-D77UJ

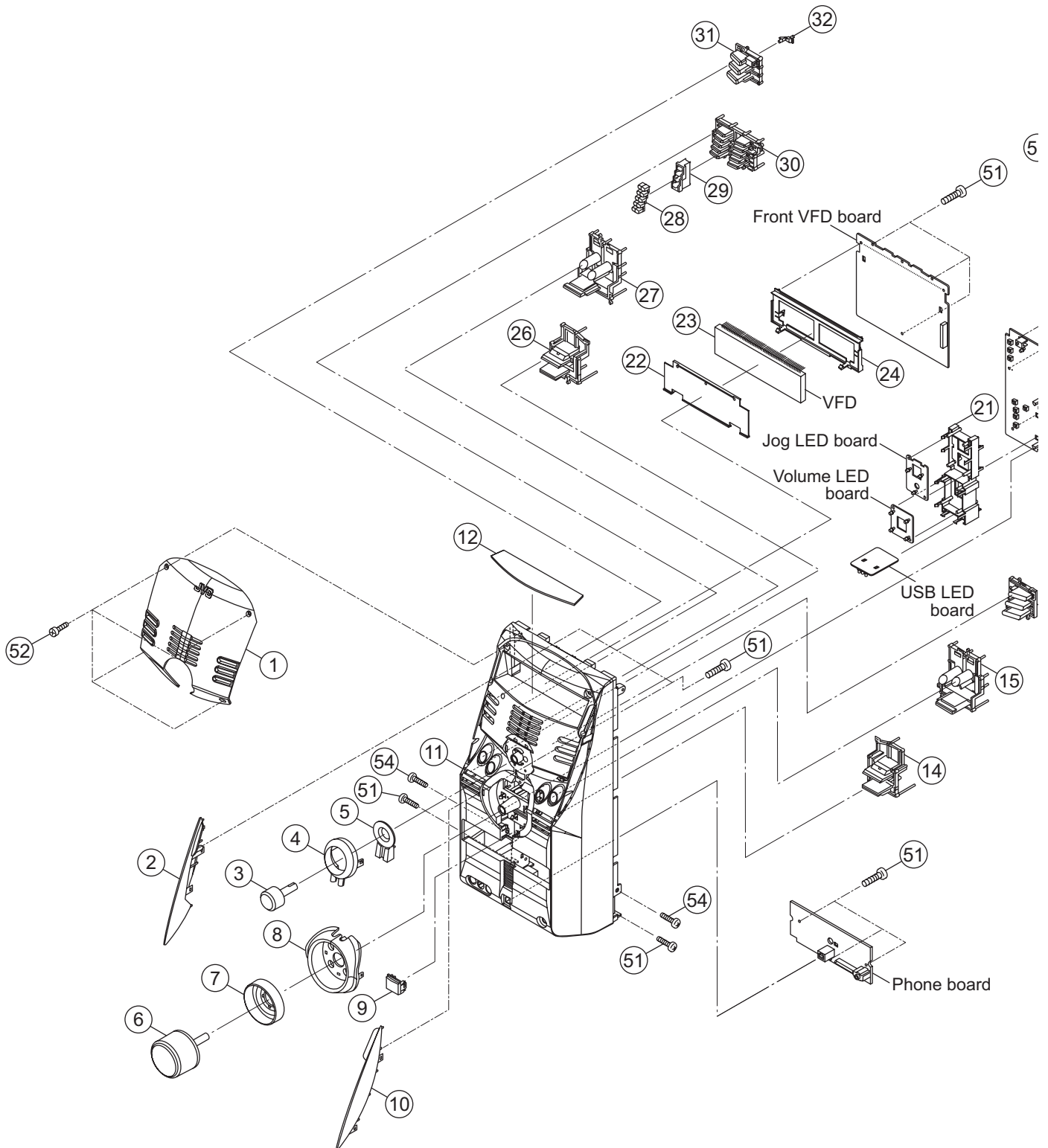
* All printed circuit boards and its assemblies are not available as service parts.

- Contents -

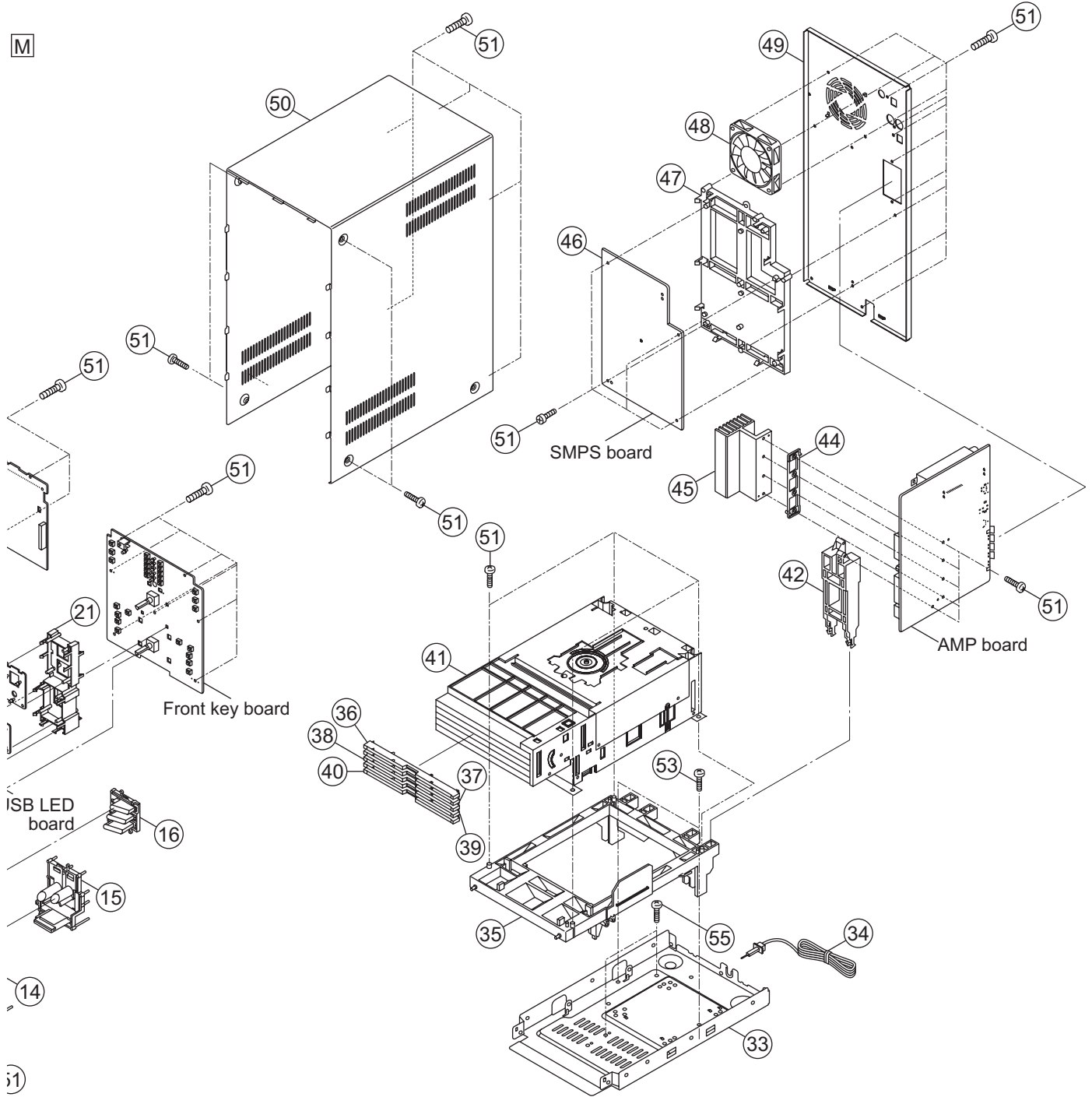
Exploded view of general assembly and parts list (Block No.M1)	3-2
DVD mechanism assembly and parts list (Block No.MJ)	3-5
DVD changer assembly and parts list (Block No.MK)	3-7
Electrical parts list (Block No.01~05)	3-9
Packing materials and accessories parts list (Block No.M3)	3-16

Exploded view of general assembly and parts list

Block No. **M 1 M M**



M



one board

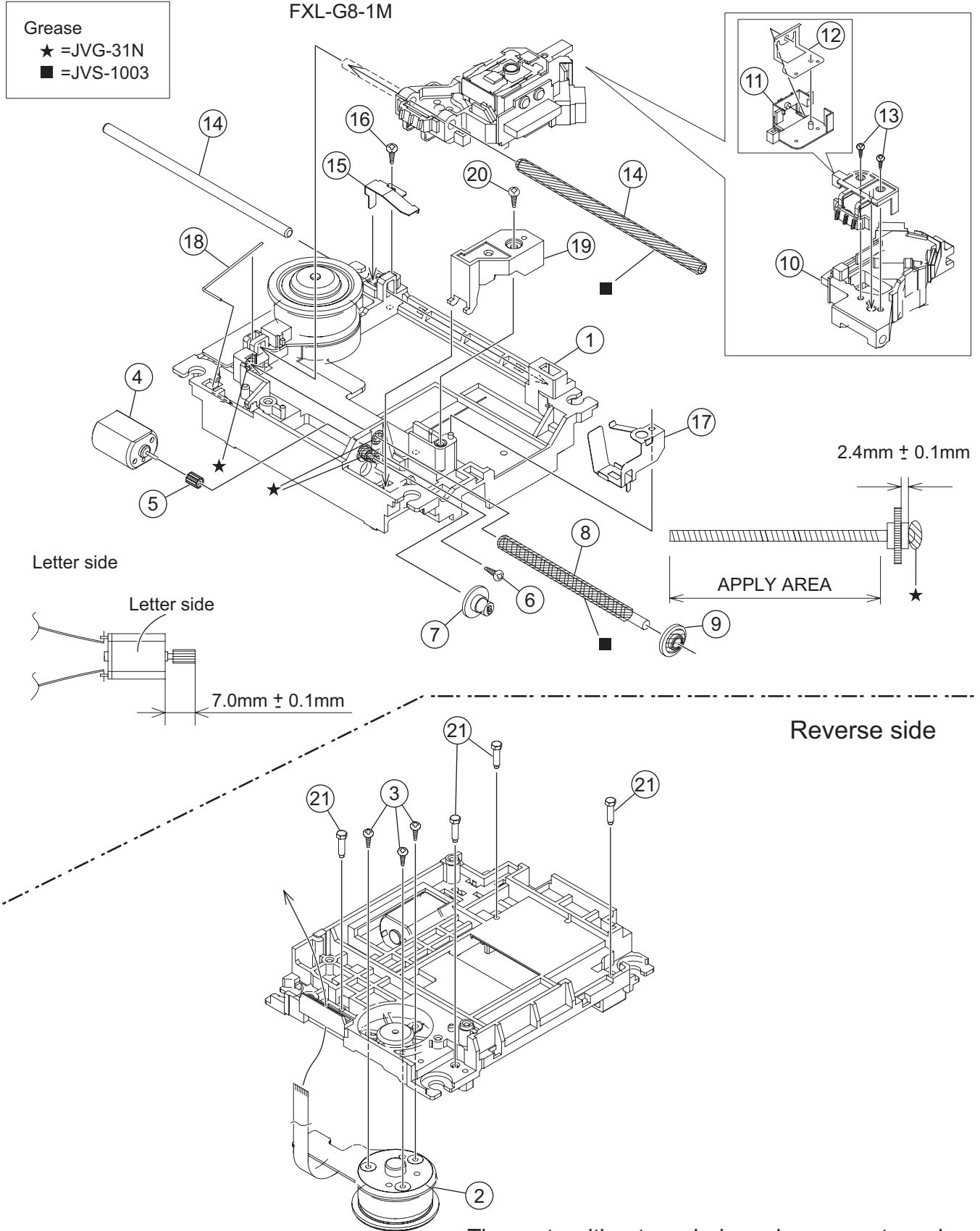
General Assembly

Block No. [M][1][M][M]

△	Symbol No.	Part No.	Part Name	Description	Local
	1	AH64-03839B	VFD WINDOW		
	2	AH67-00400B	FRONT CAP L		
	3	AH64-03833B	JOG KNOB		
	4	AH67-00402B	JOG CAP		
	5	AH67-00405A	JOG LENS		
	6	AH64-03837B	VOLUME KNOB		
	7	AH67-00408A	VOLUME LENS		
	8	AH67-00403B	VOLUME CAP		
	9	AH67-00407A	USB LENS		
	10	AH67-00401B	FRONT CAP R		
	11	AH64-03826B	FRONT CABINET		
	12	AH63-01149A	MIRROR SHEET		
	14	AH64-03836B	KNOB		
	15	AH64-03830B	KNOB		
	16	AH64-03832B	KNOB		
	21	AH61-02126A	LED HOLDER		
	22	AH64-03838A	WINDOW SHEET		
	23	AH07-00152B	VFD DISPLAY	BN016GNK	
	24	AH61-01831A	VFD HOLDER	ABS BLACK	
	26	AH64-03835B	KNOB		
	27	AH64-03829B	KNOB		
	28	AH67-00404B	DISC LENS		
	29	AH61-02128A	DISC HOLDER		
	30	AH64-03831B	KNOB		
	31	AH64-03834B	KNOB		
	32	AH67-00406A	POWER LENS		
	33	AH64-03292A	BOTTOM CABINET	SECC T1.0	
△	34	AH39-00257F	POWER CORD		
	35	AH61-02127A	DECK HOLDER		
	36	AH64-03828B	DOOR		
	37	AH64-03828C	DOOR		
	38	AH64-03828D	DOOR		
	39	AH64-03828E	DOOR		
	40	AH64-03828F	DOOR		
	41	AH59-01514C	5DVD MECHA ASSY	FMU-SM1-25M	
	42	AH61-02129A	PCB HOLDER		
	44	AH61-02131A	IC HOLDER		
	45	AH62-00152B	HEATSINK		
	46	AH44-00123A	SMPS BOARD ASSY	FOR HX-D77	
	47	AH61-02130A	PCB HOLDER		
	48	AH31-00044A	FAN ASSY		
	49	AH64-03827D	REAR CABINET		
	50	AH64-03291B	TOP CABINET	SECC T0.6	
	51	6003-001464	SCREW	(x52)	
	52	AH64-01106G	SCREW	M3X10 SILVER(x4)	
	53	6003-001375	SCREW	M3XL8(x2)	
	54	6002-000126	SCREW	M3X10 BLACK(x2)	
	55	6003-001561	SCREW	BH 2S M3X6 YEL(x2)	

DVD mechanism assembly and parts list

Block No. M J M M



DVD mechanism

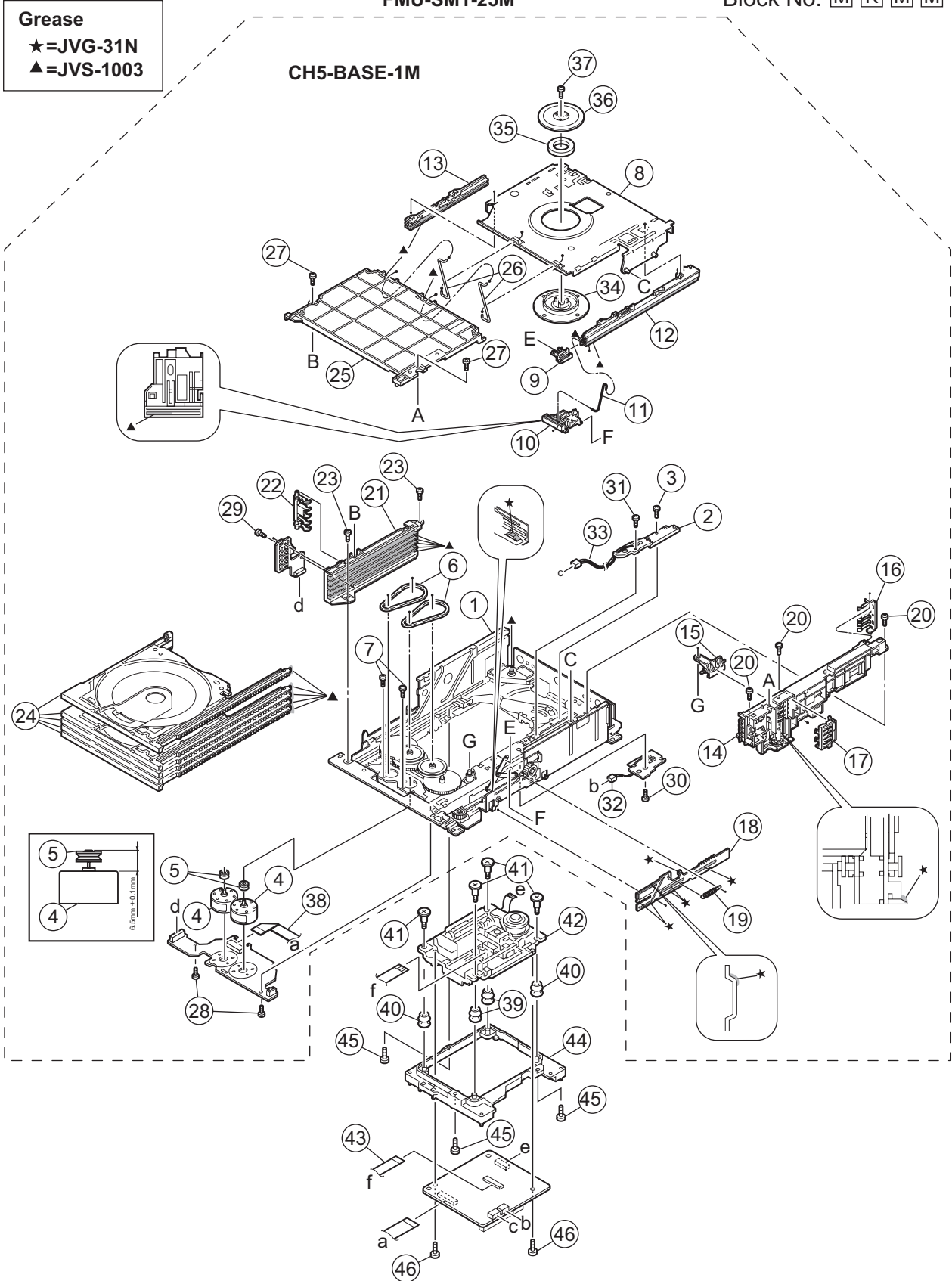
Block No. [M][J][M][M]

△	Symbol No.	Part No.	Part Name	Description	Local
	1	LV10985-002A	C.TM CHASSIS		
	2	QAR0334-002	S.MOTOR		
	3	QYSPSPU1740ZA	SCREW	M1.7 x 4mm(x3)	
	4	QAR0144-003	MOTOR		
	5	VKS5557-001	F.M. GEAR		
	6	QYSPSPT2025ZA	SCREW	M2 x 2.5mm	
	7	LV35461-002A	MIDDLE GEAR		
	8	LV44040-001A	SCREW SHAFT		
	9	LV35462-001A	SCREW SHAFT GEA		
	10	QAL0667-002	DVD PICK		
	11	LV21869-001A	RACK ARM		
	12	LV35463-001A	RACK ARM SPRING		
	13	QYSPSFU1740ZA	TAP SCREW	M1.7 x 4mm(x2)	
	14	LV44041-001A	GUIDE SHAFT	(x2)	
	15	LV35464-001A	G.SHAFT ADJ.SP		
	16	QYSDSF2005ZA	TAP SCREW	M2 x 5mm	
	17	LV35465-002A	THRUST SPRING		
	18	LV44042-001A	ROD SPRING		
	19	LV35467-001A	FEED BRACKET		
	20	QYSDSF2005ZA	TAP SCREW	M2 x 5mm	
	21	LV44046-001A	ADJUST SCREW	(x4)	

DVD changer mechanism assembly and parts list

FMU-SM1-25M

Block No. M K M M



The parts without symbol number are not service.

DVD changer mechanism

Block No. [M][K][M][M]

△	Symbol No.	Part No.	Part Name	Description	Local
	1	LV10913-001A	LOADER ASSY		
	2	QVY0027-B14	S V RESISTOR		
	3	QYSDST2004Z	SCREW	2mm x 4mm	
	4	QAR0164-001	MOTOR	(x2)	
	5	LV42340-001A	MOTOR PULLEY	(x2)	
	6	LV41431-002A	BELT	(x2)	
	7	QYSPSPU1725N	SCREW	1.7mm x 2.5mm(x2)	
	8	LV33965-004A	LIFTER ASSY		
	9	LV33963-001A	HOOK		
	10	LV33964-002A	HOOK STOPPER		
	11	LV43285-001A	ROD (L)		
	12	LV21408-002A	RAIL(R)		
	13	LV21409-002A	RAIL(L)		
	14	LV21520-004A	SIDE(R) ASSY		
	15	LV33974-001A	SELECT LEVER		
	16	LV33977-002A	CLICK SPRING		
	17	LV33975-001A	GEAR COVER		
	18	LV33976-001A	ELEVATOR CAM		
	19	LV43287-001A	ELEVATOR SPRING		
	20	QYSDST2605Z	SCREW	2.6mm x 5mm(x3)	
	21	LV10749-002A	SIDE(L)		
	22	LV33980-001A	OPEN DET.LEVER		
	23	QYSDST2605Z	SCREW	2.6mm x 5mm(x2)	
	24	LV10746-003A	TRAY ASSY	(x5)	
	25	LV10750-002A	TOP COVER		
	26	LV43289-002A	ROD	(x2)	
	27	QYSDSF2608Z	SCREW	2.6mm x 8mm(x2)	
	28	QYSDST2605Z	SCREW	2.6mm x 5mm(x2)	
	29	QYSDSF2608Z	SCREW	2.6mm x 8mm	
	30	QYSDST2605Z	SCREW	2.6mm x 5mm	
	31	QYSDST2004Z	SCREW	2mm x 4mm	
	32	WJM0330-002A	E-SI C WIRE C-F		
	33	WJM0331-001A	E-SI C WIRE C-F		
	34	LV32417-001A	CLAMPER		
	35	LV42930-003A	P.C.MAGNET		
	36	LV33992-001A	DVD YOKE		
	37	LV41741-001A	SPECIAL SCREW		
	38	QUQ110-1508BJ	FFC WIRE		
	39	LV44043-002A	INSULATOR	(x2)	
	40	LV44043-003A	INSULATOR	(x2)	
	41	LV44045-001A	SPECIAL SCREW	(x4)	
	42	-----	DVD TRAMECHA		
	43	LV44092-004A	PICK FFC		
	44	LV10986-001A	TRAMECHA HOLDER		
	45	QYSDST2605ZA	TAP SCREW	M2.6 x 5mm(x3)	
	46	LV44209-001A	WASHER SCREW	(x2)	

Symbol No.	Part No.	Part Name	Description	Local
UR144	2001-000786	C RESISTOR	47KΩ 1/8W	
UR145	2001-000786	C RESISTOR	47KΩ 1/8W	
UR146	2001-000786	C RESISTOR	47KΩ 1/8W	
UR147	2001-000786	C RESISTOR	47KΩ 1/8W	
UR148	2001-000786	C RESISTOR	47KΩ 1/8W	
UR149	2001-000786	C RESISTOR	47KΩ 1/8W	
UR150	2001-000429	C RESISTOR	1KΩ 1/8W	
UR151	2001-000290	C RESISTOR	10KΩ 1/8W	
UR152	2001-000290	C RESISTOR	10KΩ 1/8W	
UR153	2001-000290	C RESISTOR	10KΩ 1/8W	
UR154	2001-000290	C RESISTOR	10KΩ 1/8W	
UR155	2001-000290	C RESISTOR	10KΩ 1/8W	
UR156	2001-000290	C RESISTOR	10KΩ 1/8W	
UR157	2001-000290	C RESISTOR	10KΩ 1/8W	
UR158	2001-000290	C RESISTOR	10KΩ 1/8W	
UR159	2001-000290	C RESISTOR	10KΩ 1/8W	
UR160	2001-000290	C RESISTOR	10KΩ 1/8W	
UR161	2001-000429	C RESISTOR	1KΩ 1/8W	
UR162	2001-000429	C RESISTOR	1KΩ 1/8W	
UR163	2001-000429	C RESISTOR	1KΩ 1/8W	
UR172	2001-000281	C RESISTOR	100Ω 1/8W	
UR173	2001-000281	C RESISTOR	100Ω 1/8W	
UR174	2001-000281	C RESISTOR	100Ω 1/8W	
UR175	2001-000281	C RESISTOR	100Ω 1/8W	
UR176	2001-000281	C RESISTOR	100Ω 1/8W	
UR177	2001-000295	C RESISTOR	10MΩ 1/8W	
UR178	2001-000850	C RESISTOR	560KΩ 1/8W	
UR179	2001-000435	C RESISTOR	1MΩ 1/8W	
UR180	2001-000449	C RESISTOR	2.2KΩ 1/8W	
UR181	2001-000734	C RESISTOR	4.7KΩ 1/8W	
UR182	2001-000508	C RESISTOR	220KΩ 1/8W	
UR183	2001-000793	C RESISTOR	47Ω 1/8W	
UR184	2001-000734	C RESISTOR	4.7KΩ 1/8W	
UR186	2001-000780	C RESISTOR	470KΩ 1/8W	
UR187	2001-000780	C RESISTOR	470KΩ 1/8W	
VR101	3406-001047	ROTARY SWITCH	5V DC 0.5mA	
BZ101	3002-001134	BUZZER	85DB 12V	
FW101	3708-001939	CONNECTOR	32P	
FW102	3708-001696	CONNECTOR	24P	
FW201	3708-001696	CONNECTOR	24P	
FW202	3711-003408	CONNECTOR	2P	
FW203	3711-003409	CONNECTOR	BOX 3P	
FW204	3711-003409	CONNECTOR	BOX 3P	
FW301	AH39-00108A	LEAD CONNECTOR	2P	
FW302	AH39-00479A	WIRE HARNESS	3P	
FW303	AH39-00479A	WIRE HARNESS	3P	
PS102	3406-001050	ROTARY SWITCH	5V DC 0.5mA 12mm	
REYE1	0609-001187	MODULE REMOCON		
SW201	3404-000165	TACT SWITCH	12V 50mA	
SW202	3404-000165	TACT SWITCH	12V 50mA	
SW203	3404-000165	TACT SWITCH	12V 50mA	
SW204	3404-000165	TACT SWITCH	12V 50mA	
SW205	3404-000165	TACT SWITCH	12V 50mA	
SW206	3404-000165	TACT SWITCH	12V 50mA	
SW207	3404-000165	TACT SWITCH	12V 50mA	
SW208	3404-000165	TACT SWITCH	12V 50mA	
SW209	3404-000165	TACT SWITCH	12V 50mA	
SW210	3404-000165	TACT SWITCH	12V 50mA	
SW211	3404-000165	TACT SWITCH	12V 50mA	
SW212	3404-000165	TACT SWITCH	12V 50mA	
SW213	3404-000165	TACT SWITCH	12V 50mA	
SW214	3404-000165	TACT SWITCH	12V 50mA	
SW215	3404-000165	TACT SWITCH	12V 50mA	
SW216	3404-000165	TACT SWITCH	12V 50mA	
SW217	3404-000165	TACT SWITCH	12V 50mA	
SW218	3404-000165	TACT SWITCH	12V 50mA	
SW219	3404-000165	TACT SWITCH	12V 50mA	
SW220	3404-000165	TACT SWITCH	12V 50mA	
SW221	3404-000165	TACT SWITCH	12V 50mA	
SW222	3404-000165	TACT SWITCH	12V 50mA	
SW223	3404-000165	TACT SWITCH	12V 50mA	
SW224	3404-000165	TACT SWITCH	12V 50mA	
SW225	3404-000165	TACT SWITCH	12V 50mA	
SW226	3404-000165	TACT SWITCH	12V 50mA	
UW001	3708-000448	CONNECTOR	6P 1.25mm	
UX101	2801-001394	CRYSTAL	32.768KHz	

Symbol No.	Part No.	Part Name	Description	Local
UX102	2802-001198	C RESONATOR	10MHz	
VFD1	AH07-00152B	VFD DISPLAY	BN016GNK	

AMP board

Block No. [0][2]

Symbol No.	Part No.	Part Name	Description	Local
AIC01	1204-002519	IC	STA308A	
AIC02	1203-003526	IC	KIA7029AP	
EIC02	1002-001448	IC	AK5358ET	
FIC01	1204-002518	IC	R2S15904SP	
FIC02	1201-002414	IC	STA508	
HIC01	1201-000163	IC	BA4560	
JIC01	1205-002894	IC	PCM2704DBR	
VIC01	1201-002085	IC	MM1623XFB	
WIC01	1201-002414	IC	STA508	
WIC02	1201-002414	IC	STA508	
XIC01	AH14-10004R	IC	M74HCU04	
AQ101	KSC2331	TRANSISTOR	0501-000369	
AQ102	KTA1273	TRANSISTOR	0501-000422	
EQ101	KTD1304	TRANSISTOR	0501-002184	
HQ002	KTD1304	TRANSISTOR	0501-002184	
HQ01L	KTD1304	TRANSISTOR	0501-002184	
HQ01R	KTD1304	TRANSISTOR	0501-002184	
SQ102	KSC2331	TRANSISTOR	0501-000369	
SQ103	KSC2331	TRANSISTOR	0501-000369	
SQ104	KTC3199-Y	TRANSISTOR	0501-000014	
SQ105	KTC3199-Y	TRANSISTOR	0501-000014	
SQ106	KSR2103	DIGI TRANSISTOR	0504-000156	
SQ107	KTA1268	TRANSISTOR	0501-000630	
ED101	1SR154	DIODE	0402-000309	
ED102	1SS355	DIODE	0401-001090	
SD101	1SS355	DIODE	0401-001090	
SD102	1SS355	DIODE	0401-001090	
SZ102	RLZ5.6A	Z DIODE	0403-001008	
SZ103	RLZ5.6A	Z DIODE	0403-001008	
SZ104	RLZ7.5B	Z DIODE	0403-000622	
SZ105	1N4739A	Z DIODE	0403-000145	
SZ106	UZP33B	Z DIODE	0403-000390	
AE101	2401-001508	E CAPACITOR	47uF 16V	
AE102	2401-000048	E CAPACITOR	47uF 25V	
EC01L	2203-000575	CHIP CAPACITOR	220nF 25V	
EC01R	2203-000575	CHIP CAPACITOR	220nF 25V	
EC02L	2203-000575	CHIP CAPACITOR	220nF 25V	
EC02R	2203-000575	CHIP CAPACITOR	220nF 25V	
EC03L	2203-001036	CHIP CAPACITOR	5.6nF 50V	
EC03R	2203-001036	CHIP CAPACITOR	5.6nF 50V	
EC101	2203-000206	CHIP CAPACITOR	100nF 50V	
EC102	2203-000206	CHIP CAPACITOR	100nF 50V	
EC103	2203-000206	CHIP CAPACITOR	100nF 50V	
EC105	2203-000206	CHIP CAPACITOR	100nF 50V	
EC106	2203-001596	CHIP CAPACITOR	2200nF 50V	
EC107	2203-000206	CHIP CAPACITOR	100nF 50V	
EE005	2401-000414	E CAPACITOR	10uF 16V	
EE006	2401-000414	E CAPACITOR	10uF 16V	
EE007	2401-002042	E CAPACITOR	220uF 10V	
EE008	2401-002042	E CAPACITOR	220uF 10V	
EE009	2401-001952	E CAPACITOR	4.7uF 50V	
EE010	2401-001952	E CAPACITOR	4.7uF 50V	
EE011	2401-001931	E CAPACITOR	220nF 50V	
EE01L	2401-000650	E CAPACITOR	2.2uF 50V	
EE01R	2401-000650	E CAPACITOR	2.2uF 50V	
EE02L	2401-000598	E CAPACITOR	1uF 50V	
EE02R	2401-000598	E CAPACITOR	1uF 50V	
EE03L	2401-000598	E CAPACITOR	1uF 50V	
EE03R	2401-000598	E CAPACITOR	1uF 50V	
EE04L	2401-000598	E CAPACITOR	1uF 50V	
EE04R	2401-000598	E CAPACITOR	1uF 50V	
EE06L	2401-000588	E CAPACITOR	1uF 50V	
EE06R	2401-000588	E CAPACITOR	1uF 50V	

△ Symbol No.	Part No.	Part Name	Description	Local	△ Symbol No.	Part No.	Part Name	Description	Local
EE07L	2401-000598	E CAPACITOR	1uF 50V		MC102	2203-000206	CHIP CAPACITOR	100nF 50V	
EE07R	2401-000598	E CAPACITOR	1uF 50V		MC103	2203-000206	CHIP CAPACITOR	100nF 50V	
EE10L	2401-000414	E CAPACITOR	10uF 16V		MC104	2203-000634	CHIP CAPACITOR	0.022nF 50V	
EE10R	2401-000414	E CAPACITOR	10uF 16V		MC105	2203-001524	CHIP CAPACITOR	0.047nF 50V	
EE110	2401-001975	E CAPACITOR	47uF 16V		MC106	2203-000206	CHIP CAPACITOR	100nF 50V	
EMC01	2203-000206	CHIP CAPACITOR	100nF 50V		MC107	2203-000239	CHIP CAPACITOR	0.1nF 50V	
EMC02	2203-000206	CHIP CAPACITOR	100nF 50V		MC108	2203-000239	CHIP CAPACITOR	0.1nF 50V	
EMC03	2203-000206	CHIP CAPACITOR	100nF 50V		MC109	2203-000206	CHIP CAPACITOR	100nF 50V	
EMC04	2203-000206	CHIP CAPACITOR	100nF 50V		MC110	2203-000206	CHIP CAPACITOR	100nF 50V	
EMC05	2203-000206	CHIP CAPACITOR	100nF 50V		MC111	2203-000206	CHIP CAPACITOR	100nF 50V	
EMC06	2203-000206	CHIP CAPACITOR	100nF 50V		MC112	2203-000206	CHIP CAPACITOR	100nF 50V	
FC010	2203-000206	CHIP CAPACITOR	100nF 50V		MC113	2203-000206	CHIP CAPACITOR	100nF 50V	
FC011	2203-000206	CHIP CAPACITOR	100nF 50V		MC114	2203-000206	CHIP CAPACITOR	100nF 50V	
FC012	2203-000206	CHIP CAPACITOR	100nF 50V		MC115	2203-000206	CHIP CAPACITOR	100nF 50V	
FC013	2203-001596	CHIP CAPACITOR	2200nF 50V		MC118	2203-000206	CHIP CAPACITOR	100nF 50V	
FC014	2203-000206	CHIP CAPACITOR	100nF 50V		ME101	2401-000918	E CAPACITOR	22uF 16V	
FC015	2203-000206	CHIP CAPACITOR	100nF 50V		ME102	2401-000651	E CAPACITOR	2.2uF 50V	
FC01L	2203-000787	CHIP CAPACITOR	0.33nF 50V		SE102	2401-000970	E CAPACITOR	22uF 50V	
FC01R	2203-000787	CHIP CAPACITOR	0.33nF 50V		SE103	2401-000804	E CAPACITOR	220uF 16V	
FC02L	2203-000206	CHIP CAPACITOR	100nF 50V		TE101	2401-001508	E CAPACITOR	47uF 16V	
FC02R	2203-000206	CHIP CAPACITOR	100nF 50V		VC101	2203-000206	CHIP CAPACITOR	100nF 50V	
FC03L	2203-000206	CHIP CAPACITOR	100nF 50V		VC102	2203-000206	CHIP CAPACITOR	100nF 50V	
FC03R	2203-000206	CHIP CAPACITOR	100nF 50V		VC106	2203-000595	CHIP CAPACITOR	0.22nF 50V	
FC04L	2203-000206	CHIP CAPACITOR	100nF 50V		VC107	2203-000595	CHIP CAPACITOR	0.22nF 50V	
FC04R	2203-000206	CHIP CAPACITOR	100nF 50V		VC108	2203-000206	CHIP CAPACITOR	100nF 50V	
FC05L	2203-000206	CHIP CAPACITOR	100nF 50V		VC109	2203-000408	CHIP CAPACITOR	0.18nF 50V	
FC05R	2203-000206	CHIP CAPACITOR	100nF 50V		VC110	2203-000206	CHIP CAPACITOR	100nF 50V	
FC06L	2305-000412	M CAPACITOR	470nF		VE101	2401-000042	E CAPACITOR	100uF 16V	
FC06R	2305-000412	M CAPACITOR	470nF		VE102	2401-000598	E CAPACITOR	1uF 50V	
FC07L	2203-000260	CHIP CAPACITOR	10nF 50V		VE103	2401-001975	E CAPACITOR	47uF 16V	
FC07R	2203-000260	CHIP CAPACITOR	10nF 50V		VE110	2401-001102	E CAPACITOR	330uF 16V	
FC08L	2203-000260	CHIP CAPACITOR	10nF 50V		VE111	2401-001102	E CAPACITOR	330uF 16V	
FC08R	2203-000260	CHIP CAPACITOR	10nF 50V		WC01L	2203-000575	CHIP CAPACITOR	220nF 25V	
FC09L	2203-000260	CHIP CAPACITOR	10nF 50V		WC01R	2203-000575	CHIP CAPACITOR	220nF 25V	
FC09R	2203-000260	CHIP CAPACITOR	10nF 50V		WC02L	2203-000575	CHIP CAPACITOR	220nF 25V	
FC10L	2203-000206	CHIP CAPACITOR	100nF 50V		WC02R	2203-000575	CHIP CAPACITOR	220nF 25V	
FC10R	2203-000206	CHIP CAPACITOR	100nF 50V		WC03L	2203-000575	CHIP CAPACITOR	220nF 25V	
FC11L	2203-001596	CHIP CAPACITOR	2200nF 50V		WC03R	2203-000575	CHIP CAPACITOR	220nF 25V	
FC11R	2203-001596	CHIP CAPACITOR	2200nF 50V		WC04L	2203-000575	CHIP CAPACITOR	220nF 25V	
FC12L	2303-000312	M CAPACITOR	100nF 63V		WC04R	2203-000575	CHIP CAPACITOR	220nF 25V	
FC13L	2203-000787	CHIP CAPACITOR	0.33nF 50V		WC05L	2305-000412	M CAPACITOR	470nF	
FC13R	2203-000787	CHIP CAPACITOR	0.33nF 50V		WC05R	2305-000412	M CAPACITOR	470nF	
FC14L	2203-001596	CHIP CAPACITOR	2200nF 50V		WC06L	2203-000206	CHIP CAPACITOR	100nF 50V	
FC14R	2203-001596	CHIP CAPACITOR	2200nF 50V		WC06R	2203-000206	CHIP CAPACITOR	100nF 50V	
FE101	2401-003850	E CAPACITOR	1000uF 50V		WC07L	2203-000206	CHIP CAPACITOR	100nF 50V	
FL12R	2303-000312	M CAPACITOR	100nF 63V		WC07R	2203-000206	CHIP CAPACITOR	100nF 50V	
HC006	2203-000206	CHIP CAPACITOR	100nF 50V		WC08L	2203-000260	CHIP CAPACITOR	10nF 50V	
HC01L	2203-000661	CHIP CAPACITOR	0.27nF 50V		WC08R	2203-000260	CHIP CAPACITOR	10nF 50V	
HC01R	2203-000661	CHIP CAPACITOR	0.27nF 50V		WC09L	2203-000206	CHIP CAPACITOR	100nF 50V	
HC02L	2203-000595	CHIP CAPACITOR	0.22nF 50V		WC09R	2203-000206	CHIP CAPACITOR	100nF 50V	
HC02R	2203-000595	CHIP CAPACITOR	0.22nF 50V		WC10L	2203-000206	CHIP CAPACITOR	100nF 50V	
HC03L	2203-000595	CHIP CAPACITOR	0.22nF 50V		WC10R	2203-000206	CHIP CAPACITOR	100nF 50V	
HC03R	2203-000595	CHIP CAPACITOR	0.22nF 50V		WC11L	2203-001596	CHIP CAPACITOR	2200nF 50V	
HC04L	2203-000239	CHIP CAPACITOR	0.1nF 50V		WC11R	2203-001596	CHIP CAPACITOR	2200nF 50V	
HC04R	2203-000239	CHIP CAPACITOR	0.1nF 50V		WC12L	2203-001596	CHIP CAPACITOR	2200nF 50V	
HC05L	2203-000595	CHIP CAPACITOR	0.22nF 50V		WC12R	2203-001596	CHIP CAPACITOR	2200nF 50V	
HC05R	2203-000595	CHIP CAPACITOR	0.22nF 50V		WC13L	2203-001128	CHIP CAPACITOR	0.68nF 50V	
HE002	2401-001508	E CAPACITOR	47uF 16V		WC13R	2203-001128	CHIP CAPACITOR	0.68nF 50V	
HE01L	2401-000042	E CAPACITOR	100uF 16V		WC14L	2203-000206	CHIP CAPACITOR	100nF 50V	
HE01R	2401-000042	E CAPACITOR	100uF 16V		WC14R	2203-000206	CHIP CAPACITOR	100nF 50V	
JC004	2203-000426	CHIP CAPACITOR	0.018nF 50V		WC15L	2203-000206	CHIP CAPACITOR	100nF 50V	
JC005	2203-000426	CHIP CAPACITOR	0.018nF 50V		WC15R	2203-000206	CHIP CAPACITOR	100nF 50V	
JC006	2203-005065	CHIP CAPACITOR	1000nF 10V		WC16L	2203-000206	CHIP CAPACITOR	100nF 50V	
JC007	2203-005065	CHIP CAPACITOR	1000nF 10V		WC16R	2203-000206	CHIP CAPACITOR	100nF 50V	
JC008	2203-005065	CHIP CAPACITOR	1000nF 10V		WC17L	2203-001596	CHIP CAPACITOR	2200nF 50V	
JC010	2203-005065	CHIP CAPACITOR	1000nF 10V		WC17R	2203-001596	CHIP CAPACITOR	2200nF 50V	
JC011	2203-005065	CHIP CAPACITOR	1000nF 10V		WC18L	2203-000206	CHIP CAPACITOR	100nF 50V	
JC012	2203-001537	CHIP CAPACITOR	1nF 50V		WC18R	2203-000206	CHIP CAPACITOR	100nF 50V	
JC01L	2203-001607	CHIP CAPACITOR	0.22nF		WC19L	2203-000206	CHIP CAPACITOR	100nF 50V	
JC01R	2203-001607	CHIP CAPACITOR	0.22nF		WC19R	2203-000206	CHIP CAPACITOR	100nF 50V	
JC02L	2203-002041	CHIP CAPACITOR	0.47nF 50V		WC20L	2305-000412	M CAPACITOR	470nF	
JC02R	2203-002041	CHIP CAPACITOR	0.47nF 50V		WC20R	2305-000412	M CAPACITOR	470nF	
JC09L	2203-000626	CHIP CAPACITOR	0.022nF 50V		WC21L	2203-001128	CHIP CAPACITOR	0.68nF 50V	
JC09R	2203-000626	CHIP CAPACITOR	0.022nF 50V		WC21R	2203-001128	CHIP CAPACITOR	0.68nF 50V	
JE003	2401-000414	E CAPACITOR	10uF 16V		WC22L	2203-001128	CHIP CAPACITOR	0.68nF 50V	
JE01L	2401-000042	E CAPACITOR	100uF 16V		WC22R	2203-001128	CHIP CAPACITOR	0.68nF 50V	
JE01R	2401-000042	E CAPACITOR	100uF 16V		WC23L	2203-001128	CHIP CAPACITOR	0.68nF 50V	
MC101	2203-000206	CHIP CAPACITOR	100nF 50V		WC23R	2203-001128	CHIP CAPACITOR	0.68nF 50V	

△ Symbol No.	Part No.	Part Name	Description	Local	△ Symbol No.	Part No.	Part Name	Description	Local
WC24L	2203-001596	CHIP CAPACITOR	2200nF 50V		HR11R	2007-000300	CHIP RESISTOR	10KΩ	
WC24R	2203-001596	CHIP CAPACITOR	2200nF 50V		HR12L	2007-000468	CHIP RESISTOR	1KΩ	
WC25L	2203-001596	CHIP CAPACITOR	2200nF 50V		HR12R	2007-000468	CHIP RESISTOR	1KΩ	
WC25R	2203-001596	CHIP CAPACITOR	2200nF 50V		JR003	2007-000071	CHIP RESISTOR	22Ω 1/10W	
WE01L	2401-003850	E CAPACITOR	1000uF 50V		JR004	2007-000305	CHIP RESISTOR	10MΩ 1/10W	
WE01R	2401-003850	E CAPACITOR	1000uF 50V		JR005	2007-000071	CHIP RESISTOR	22Ω 1/10W	
XC101	2203-000634	CHIP CAPACITOR	0.022nF 50V		JR006	2007-000123	CHIP RESISTOR	1.5KΩ 1/10W	
XC102	2203-000634	CHIP CAPACITOR	0.022nF 50V		JR007	2007-000475	CHIP RESISTOR	1MΩ 1/10W	
XC103	2203-000206	CHIP CAPACITOR	100nF 50V		JR008	2007-000123	CHIP RESISTOR	1.5KΩ 1/10W	
XE101	2401-000414	E CAPACITOR	10uF 16V		JR01L	2007-000458	CHIP RESISTOR	18KΩ 1/10W	
					JR01R	2007-000458	CHIP RESISTOR	18KΩ 1/10W	
AR101	2007-000300	CHIP RESISTOR	10KΩ		JR02L	2007-000458	CHIP RESISTOR	18KΩ 1/10W	
AR102	2007-000493	CHIP RESISTOR	2.2KΩ		JR02R	2007-000458	CHIP RESISTOR	18KΩ 1/10W	
AR103	2007-000586	CHIP RESISTOR	22KΩ		JR09L	2007-000463	CHIP RESISTOR	18Ω 1/10W	
AR104	2007-001168	CHIP RESISTOR	75Ω 1/4W		JR09R	2007-000463	CHIP RESISTOR	18Ω 1/10W	
AR105	2007-000598	CHIP RESISTOR	22Ω 1/4W		JR10L	2007-000052	CHIP RESISTOR	10KΩ 1/10W	
CR01L	2007-000653	CHIP RESISTOR	27KΩ		JR10R	2007-000052	CHIP RESISTOR	10KΩ 1/10W	
CR01R	2007-000653	CHIP RESISTOR	27KΩ		JR11L	2007-000084	CHIP RESISTOR	4.7KΩ	
CR02L	2007-000872	CHIP RESISTOR	4.7KΩ		JR11R	2007-000084	CHIP RESISTOR	4.7KΩ	
CR02R	2007-000872	CHIP RESISTOR	4.7KΩ		JR12L	2007-000052	CHIP RESISTOR	10KΩ 1/10W	
DR102	2007-000646	CHIP RESISTOR	270Ω 1/4W		JR12R	2007-000052	CHIP RESISTOR	10KΩ 1/10W	
DR103	2007-000824	CHIP RESISTOR	390Ω 1/4W		MC116	2203-000126	CHIP RESISTOR	1.2nF 50V	
DR104	2007-001033	CHIP RESISTOR	560Ω 1/4W		MC117	2203-000126	CHIP RESISTOR	1.2nF 50V	
EC104	2203-000126	CHIP RESISTOR	1.2nF 50V		MR001	2007-000947	CHIP RESISTOR	47Ω 1/8W	
ER01L	2007-000686	CHIP RESISTOR	3.3KΩ		MR002	2007-000468	CHIP RESISTOR	1KΩ	
ER01R	2007-000686	CHIP RESISTOR	3.3KΩ		MR101	2007-000300	CHIP RESISTOR	100KΩ	
ER02L	2007-000572	CHIP RESISTOR	220Ω		MR102	2007-000290	CHIP RESISTOR	100Ω	
ER02R	2007-000572	CHIP RESISTOR	220Ω		MR103	2007-000947	CHIP RESISTOR	47Ω 1/8W	
ER03L	2007-000941	CHIP RESISTOR	47KΩ		MR104	2007-000947	CHIP RESISTOR	47Ω 1/8W	
ER03R	2007-000941	CHIP RESISTOR	47KΩ		MR105	2007-000290	CHIP RESISTOR	100Ω	
ER08L	2007-000468	CHIP RESISTOR	1KΩ		MR106	2007-000290	CHIP RESISTOR	100Ω	
ER08R	2007-000468	CHIP RESISTOR	1KΩ		MR107	2007-000300	CHIP RESISTOR	10KΩ	
ER101	2007-000395	CHIP RESISTOR	150KΩ 1/10W		MR108	2007-000300	CHIP RESISTOR	10KΩ	
ER102	2007-000395	CHIP RESISTOR	150KΩ 1/10W		MR110	2007-000766	CHIP RESISTOR	330Ω	
ER103	2007-000947	CHIP RESISTOR	47Ω 1/8W		MR111	2007-000686	CHIP RESISTOR	3.3KΩ	
ER104	2007-000947	CHIP RESISTOR	47Ω 1/8W		MR112	2007-000300	CHIP RESISTOR	10KΩ	
ER105	2007-000950	CHIP RESISTOR	47Ω 1/4W		SR001	2007-000518	CHIP RESISTOR	2.7KΩ	
ER106	2007-000766	CHIP RESISTOR	330Ω		SR002	2007-000300	CHIP RESISTOR	10KΩ	
ER107	2003-000629	METAL RESISTOR	3.3Ω 2W		SR003	2007-000030	CHIP RESISTOR	560Ω 1/8W	
ER108	2007-000068	CHIP RESISTOR	470KΩ 1/8W		SR004	2007-000300	CHIP RESISTOR	10KΩ	
ER109	2007-000023	CHIP RESISTOR	120Ω 1/10W		SR005	2007-000653	CHIP RESISTOR	27KΩ	
ER110	2007-000300	CHIP RESISTOR	10KΩ		SR103	2007-001216	CHIP RESISTOR	82Ω	
ER111	2007-000778	CHIP RESISTOR	330KΩ 1/10W		SR104	2007-000778	CHIP RESISTOR	330KΩ 1/10W	
ER112	2007-001195	CHIP RESISTOR	820KΩ		SR105	2007-000778	CHIP RESISTOR	330KΩ 1/10W	
FR004	2007-000300	CHIP RESISTOR	10KΩ		SR106	2007-000586	CHIP RESISTOR	22KΩ	
FR005	2007-000468	CHIP RESISTOR	1KΩ		TR01L	2007-000457	CHIP RESISTOR	18KΩ	
FR01L	2007-000598	CHIP RESISTOR	22Ω 1/4W		TR01R	2007-000457	CHIP RESISTOR	18KΩ	
FR01R	2007-000598	CHIP RESISTOR	22Ω 1/4W		TR02L	2007-000300	CHIP RESISTOR	10KΩ	
FR02L	2007-000883	CHIP RESISTOR	4.7Ω 1/4W		TR02R	2007-000300	CHIP RESISTOR	10KΩ	
FR02R	2007-000883	CHIP RESISTOR	4.7Ω 1/4W		VR101	2007-000822	CHIP RESISTOR	390Ω 1/8W	
FR03L	2007-000883	CHIP RESISTOR	4.7Ω 1/4W		VR102	2007-000822	CHIP RESISTOR	390Ω 1/8W	
FR03R	2007-000883	CHIP RESISTOR	4.7Ω 1/4W		VR103	2007-000822	CHIP RESISTOR	390Ω 1/8W	
FR04L	2007-000598	CHIP RESISTOR	22Ω 1/4W		VR104	2007-000822	CHIP RESISTOR	390Ω 1/8W	
FR04R	2007-000598	CHIP RESISTOR	22Ω 1/4W		VR107	2007-000290	CHIP RESISTOR	100Ω	
HR001	2007-000950	CHIP RESISTOR	47Ω 1/4W		VR112	2007-000290	CHIP RESISTOR	100Ω	
HR013	2007-000941	CHIP RESISTOR	47KΩ		VR113	2007-000290	CHIP RESISTOR	100Ω	
HR014	2007-000300	CHIP RESISTOR	10KΩ		VR117	2007-001166	CHIP RESISTOR	75Ω 1/8W	
HR01L	2007-000872	CHIP RESISTOR	4.7KΩ		VR118	2007-001166	CHIP RESISTOR	75Ω 1/8W	
HR01R	2007-000872	CHIP RESISTOR	4.7KΩ		VR119	2007-001166	CHIP RESISTOR	75Ω 1/8W	
HR02L	2007-000872	CHIP RESISTOR	4.7KΩ		VR120	2007-000290	CHIP RESISTOR	100Ω	
HR02R	2007-000872	CHIP RESISTOR	4.7KΩ		VR121	2007-001166	CHIP RESISTOR	75Ω 1/8W	
HR03L	2007-000872	CHIP RESISTOR	4.7KΩ		WR01L	2007-000312	CHIP RESISTOR	10Ω 1/4W	
HR03R	2007-000872	CHIP RESISTOR	4.7KΩ		WR01R	2007-000312	CHIP RESISTOR	10Ω 1/4W	
HR04L	2007-000872	CHIP RESISTOR	4.7KΩ		WR02L	2007-001074	CHIP RESISTOR	6.8Ω 1/8W	
HR04R	2007-000872	CHIP RESISTOR	4.7KΩ		WR02R	2007-001074	CHIP RESISTOR	6.8Ω 1/8W	
HR05L	2007-000872	CHIP RESISTOR	4.7KΩ		WR03L	2007-001074	CHIP RESISTOR	6.8Ω 1/8W	
HR05R	2007-000872	CHIP RESISTOR	4.7KΩ		WR03R	2007-001074	CHIP RESISTOR	6.8Ω 1/8W	
HR06L	2007-000872	CHIP RESISTOR	4.7KΩ		WR04L	2007-001074	CHIP RESISTOR	6.8Ω 1/8W	
HR06R	2007-000872	CHIP RESISTOR	4.7KΩ		WR04R	2007-001074	CHIP RESISTOR	6.8Ω 1/8W	
HR07L	2007-000872	CHIP RESISTOR	4.7KΩ		WR05L	2007-001074	CHIP RESISTOR	6.8Ω 1/8W	
HR07R	2007-000872	CHIP RESISTOR	4.7KΩ		WR05R	2007-001074	CHIP RESISTOR	6.8Ω 1/8W	
HR08L	2007-000308	CHIP RESISTOR	10Ω		WR07L	2007-000300	CHIP RESISTOR	10KΩ	
HR08R	2007-000308	CHIP RESISTOR	10Ω		WR07R	2007-000300	CHIP RESISTOR	10KΩ	
HR09L	2007-000300	CHIP RESISTOR	10KΩ		WR08L	2007-000312	CHIP RESISTOR	10Ω 1/4W	
HR09R	2007-000300	CHIP RESISTOR	10KΩ		WR08R	2007-000312	CHIP RESISTOR	10Ω 1/4W	
HR10L	2007-000300	CHIP RESISTOR	10KΩ		WR09L	2007-000312	CHIP RESISTOR	10Ω 1/4W	
HR10R	2007-000300	CHIP RESISTOR	10KΩ		WR09R	2007-000312	CHIP RESISTOR	10Ω 1/4W	
HR11L	2007-000300	CHIP RESISTOR	10KΩ		WR10L	2007-000312	CHIP RESISTOR	10Ω 1/4W	

Symbol No.	Part No.	Part Name	Description	Local
WR10R	2007-000312	CHIP RESISTOR	10Ω 1/4W	
XR101	2007-000477	CHIP RESISTOR	1MΩ	
XR102	2007-000931	CHIP RESISTOR	470Ω	
FL01L	AH27-00061A	COIL FILTER	45mΩ	
FL01R	AH27-00061A	COIL FILTER	45mΩ	
FL02L	AH27-00061A	COIL FILTER	45mΩ	
FL02R	AH27-00061A	COIL FILTER	45mΩ	
JL001	2702-000112	COIL	10uH	
WL01L	AH27-00062A	COIL FILTER	45mΩ	
WL01R	AH27-00062A	COIL FILTER	45mΩ	
WL02L	AH27-00062A	COIL FILTER	45mΩ	
WL02R	AH27-00062A	COIL FILTER	45mΩ	
WL03L	AH27-00062A	COIL FILTER	45mΩ	
WL03R	AH27-00062A	COIL FILTER	45mΩ	
WL04L	AH27-00062A	COIL FILTER	45mΩ	
WL04R	AH27-00062A	COIL FILTER	45mΩ	

BEAD1	3301-001345	FERRITE BEADS	600 Ω 300mA	
CHGND	AH39-50001N	HARNESS WIRE	250MM	
CN101	3708-001939	CONNECTOR	32P	
CN102	3711-000724	CONNECTOR	15P	
CN103	3708-001761	CONNECTOR	28P	
CN104	3708-000347	CONNECTOR	10P 1MM	
CN106	AH39-00295B	CONNECT WIRE	9P for SMPS SMCN01	
CN107	AH39-00885A	CONNECT WIRE	15P for SMPS SMCN02	
CN108	3711-000820	CONNECTOR	2P 1R 2.5mm	
EL101	3301-001345	FERRITE BEADS	600 Ω 300mA	
EL102	3301-001345	FERRITE BEADS	600 Ω 300mA	
FL003	3301-001345	FERRITE BEADS	600 Ω 300mA	
FL03L	AH29-00014A	LINE FILTER	PLF1109-002	
FL03R	AH29-00014A	LINE FILTER	PLF1109-002	
GND1	AH38-00013A	WIRE	250MM	
GND5	AH39-50001L	LEAD FASTEN	RING4 200MM BLK	
HL01L	3301-001345	FERRITE BEADS	600 Ω 300mA	
HL01R	3301-001345	FERRITE BEADS	600 Ω 300mA	
ML101	3301-001345	FERRITE BEADS	600 Ω 300mA	
ML102	3301-001345	FERRITE BEADS	600 Ω 300mA	
ML103	3301-001345	FERRITE BEADS	600 Ω 300mA	
ML104	3301-001345	FERRITE BEADS	600 Ω 300mA	
SP101	3716-001208	TERMINAL BLOCK	8P	
TU101	AH40-00123A	TUNER		
UX103	2801-004396	CRYSTAL UNIT	12.0MHz 30ppm	
VJ102	3722-002145	PIN JACK	1P VHS+PIN	
VJ103	3707-001060	CONNECTOR	3P	
WL05L	3301-001345	FERRITE BEADS	600 Ω 300mA	
WL05R	3301-001345	FERRITE BEADS	600 Ω 300mA	
XT101	2801-004354	CRYSTAL	12.288MHZ	
ZJ101	3722-002310	PIN JACK	3P	
ZJ102	3722-002292	USB JACK	4P/1P	
ZJ103	3722-001588	PHONE JACK	7P 3.6PI AG BLK	
ZW101	AH39-00862A	LEAD CONNECTOR	15P for AMP CN102	

Wiring

Symbol No.	Part No.	Part Name	Description	Local
XXXXX	3301-000132	FERRITE BEADS	(x3)	
XXXXX	3809-001452	FLAT CABLE	24P KEY FW201to VED FW102	
XXXXX	3809-001718	FLAT CABLE	10P for AMP CN104 to DVD	
XXXXX	3809-001720	FLAT CABLE	28P for AMP CN103 to DVD	
XXXXX	3809-001823	FLAT CABLE	32P for VFD FW101 to AMP CN101	

DVD servo board (FMU-SM1-25M)

Block No. [0][4]

Symbol No.	Part No.	Part Name	Description	Local
IC201	LA6502-X	IC		
IC301	MN2DS0009AA	IC		
IC302	MM1701CH-X	IC		
IC305	MM1563BF-X	IC	3.1V Regulator	
IC451	MN101C61GNW	IC		
IC452	BR93L56RFV-W-X	IC(DIGITAL)		
IC453	S-80827CNNB-G-W	IC		
IC505	K4S641632H-UC75	IC		
IC505	or HY57V641620ETP7	IC(DIGITAL)		
IC505	or K4S641632K-UC75	IC		
IC509	SG32M90TFICA600	IC(MICRO C ROM)		
IC510	BR24L16FV-W-X	IC(DIGITAL)		
IC701	AK4384ET-X	IC		
IC705	MM1615AN-X	IC		
Q101	KTA1001/Y/-X	TRANSISTOR		
Q101	or 2SB1424/R/-W	TRANSISTOR		
Q102	2SC4617/R/-X	TRANSISTOR		
Q103	KTA1001/Y/-X	TRANSISTOR		
Q103	or 2SB1424/R/-W	TRANSISTOR		
Q104	2SC4617/R/-X	TRANSISTOR		
Q105	UN2119-X	TRANSISTOR		
Q105	or KRA116S-X	TRANSISTOR		
C101	NCF31EZ-104X	C CAPACITOR	0.1uF 25V Z	
C102	NCF31EZ-104X	C CAPACITOR	0.1uF 25V Z	
C103	NCF31EZ-104X	C CAPACITOR	0.1uF 25V Z	
C104	NCF31EZ-104X	C CAPACITOR	0.1uF 25V Z	
C105	NEAF0JM-476X	E CAPACITOR	47uF 6.3V M	
C106	NBE20JM-226X	TA E CAPACITOR	22uF 6.3V M	
C107	NCF31EZ-104X	C CAPACITOR	0.1uF 25V Z	
C108	NBE20JM-226X	TA E CAPACITOR	22uF 6.3V M	
C201	NDC31HJ-221X	C CAPACITOR	220pF 50V J	
C202	NDC31HJ-221X	C CAPACITOR	220pF 50V J	
C203	NCB31HK-103X	C CAPACITOR	0.01uF 50V K	
C204	NCF31EZ-104X	C CAPACITOR	0.1uF 25V Z	
C205	NCB31HK-271X	C CAPACITOR	270pF 50V K	
C206	NDC31HJ-151X	C CAPACITOR	150pF 50V J	
C210	NCF31AZ-105X	C CAPACITOR	1uF 10V Z	
C211	NCB31EK-223X	C CAPACITOR	0.022uF 25V K	
C217	NCF31EZ-104X	C CAPACITOR	0.1uF 25V Z	
C251	NCB31AK-474X	C CAPACITOR	0.47uF 10V K	
C256	NCB31CK-104X	C CAPACITOR	0.1uF 16V K	
C257	NCB31HK-822X	C CAPACITOR	8200pF 50V K	
C258	NCB31CK-153X	C CAPACITOR	0.015uF 16V K	
C259	NCB31CK-153X	C CAPACITOR	0.015uF 16V K	
C260	NCB31HK-223X	C CAPACITOR	0.022uF 50V K	
C261	NCB31HK-223X	C CAPACITOR	0.022uF 50V K	
C262	NCB31HK-223X	C CAPACITOR	0.022uF 50V K	
C263	NEAF1CM-107X	E CAPACITOR	100uF 16V M	
C300	NCF31EZ-104X	C CAPACITOR	0.1uF 25V Z	
C301	NEAF0GM-476X	E CAPACITOR	47uF 4V M	
C302	NEAF0GM-476X	E CAPACITOR	47uF 4V M	
C303	NEAF0GM-476X	E CAPACITOR	47uF 4V M	
C304	NCB30JK-105X	C CAPACITOR	1uF 6.3V K	
C305	NCF31EZ-104X	C CAPACITOR	0.1uF 25V Z	
C306	NCF31EZ-104X	C CAPACITOR	0.1uF 25V Z	
C307	NCF31EZ-104X	C CAPACITOR	0.1uF 25V Z	
C308	NCF31EZ-104X	C CAPACITOR	0.1uF 25V Z	
C309	NCF31EZ-104X	C CAPACITOR	0.1uF 25V Z	
C310	NCB31CK-104X	C CAPACITOR	0.1uF 16V K	
C311	NCF31EZ-104X	C CAPACITOR	0.1uF 25V Z	
C312	NCF31EZ-104X	C CAPACITOR	0.1uF 25V Z	
C313	NCF31EZ-104X	C CAPACITOR	0.1uF 25V Z	
C314	NCF31EZ-104X	C CAPACITOR	0.1uF 25V Z	
C315	NCF31EZ-104X	C CAPACITOR	0.1uF 25V Z	
C316	NCF31EZ-104X	C CAPACITOR	0.1uF 25V Z	
C318	NCF31EZ-104X	C CAPACITOR	0.1uF 25V Z	
C319	NCF31EZ-104X	C CAPACITOR	0.1uF 25V Z	
C320	NCB31CK-104X	C CAPACITOR	0.1uF 16V K	
C321	NCB31CK-104X	C CAPACITOR	0.1uF 16V K	
C322	NCB31CK-104X	C CAPACITOR	0.1uF 16V K	
C323	NCB31CK-104X	C CAPACITOR	0.1uF 16V K	
C324	NCB30JK-105X	C CAPACITOR	1uF 6.3V K	

△ Symbol No.	Part No.	Part Name	Description	Local	△ Symbol No.	Part No.	Part Name	Description	Local
C325	NDC31HJ-120X	C CAPACITOR	12pF 50V J		R116	NRSA63J-471X	MG RESISTOR	470Ω 1/16W J	
C326	NDC31HJ-100X	C CAPACITOR	10pF 50V J		R117	NRSA63J-331X	MG RESISTOR	330Ω 1/16W J	
C328	NCB31HK-103X	C CAPACITOR	0.01uF 50V K		R125	NRSA63J-1R0X	MG RESISTOR	1Ω 1/16W J	
C329	NCF31EZ-104X	C CAPACITOR	0.1uF 25V Z		R126	NRSA63J-101X	MG RESISTOR	100Ω 1/16W J	
C330	NCF31EZ-104X	C CAPACITOR	0.1uF 25V Z		R127	NRSA63J-432X	MG RESISTOR	4.3kΩ 1/16W J	
C331	NCB31CK-333X	C CAPACITOR	0.033uF 16V K		R128	NRSA63J-562X	MG RESISTOR	5.6kΩ 1/16W J	
C332	NCF31EZ-104X	C CAPACITOR	0.1uF 25V Z		R202	NRSA63J-102X	MG RESISTOR	1kΩ 1/16W J	
C333	NCF31EZ-104X	C CAPACITOR	0.1uF 25V Z		R204	NRSA63J-273X	MG RESISTOR	27kΩ 1/16W J	
C334	NCF31EZ-104X	C CAPACITOR	0.1uF 25V Z		R205	NRSA63J-273X	MG RESISTOR	27kΩ 1/16W J	
C335	NCF31EZ-104X	C CAPACITOR	0.1uF 25V Z		R206	NRSA63J-303X	MG RESISTOR	30kΩ 1/16W J	
C337	NCB31CK-183X	C CAPACITOR	0.018uF 16V K		R207	NRSA63J-473X	MG RESISTOR	47kΩ 1/16W J	
C338	NCB31HK-562X	C CAPACITOR	5600pF 50V K		R213	NRSA63J-103X	MG RESISTOR	10kΩ 1/16W J	
C339	NBE20JM-106X	TA E CAPACITOR	10uF 6.3V M		R214	NRSA63J-103X	MG RESISTOR	10kΩ 1/16W J	
C340	NCB30JK-105X	C CAPACITOR	1uF 6.3V K		R219	NRSA63J-183X	MG RESISTOR	18kΩ 1/16W J	
C341	NCB30JK-105X	C CAPACITOR	1uF 6.3V K		R220	NRSA63J-243X	MG RESISTOR	24kΩ 1/16W J	
C347	NCB31CK-104X	C CAPACITOR	0.1uF 16V K		R221	NRSA63J-682X	MG RESISTOR	6.8kΩ 1/16W J	
C348	NCB31CK-104X	C CAPACITOR	0.1uF 16V K		R251	NRS125J-R39X	MG RESISTOR	0.39Ω 1/2W J	
C349	NCF31EZ-104X	C CAPACITOR	0.1uF 25V Z		R259	NRSA63J-103X	MG RESISTOR	10kΩ 1/16W J	
C350	NCB31HK-103X	C CAPACITOR	0.01uF 50V K		R301	NRS181J-0R0X	MG RESISTOR	0Ω 1/8W J	
C351	NCB31HK-103X	C CAPACITOR	0.01uF 50V K		R303	NRSA63J-220X	MG RESISTOR	22Ω 1/16W J	
C352	NCB31CK-153X	C CAPACITOR	0.015uF 16V K		R306	NRSA63J-102X	MG RESISTOR	1kΩ 1/16W J	
C353	NCB31HK-561X	C CAPACITOR	560pF 50V K		R307	NRSA63J-102X	MG RESISTOR	1kΩ 1/16W J	
C354	NCB31HK-561X	C CAPACITOR	560pF 50V K		R308	NRSA63J-103X	MG RESISTOR	10kΩ 1/16W J	
C356	NCB30JK-105X	C CAPACITOR	1uF 6.3V K		R309	NRSA63J-104X	MG RESISTOR	100kΩ 1/16W J	
C359	NCB30JK-105X	C CAPACITOR	1uF 6.3V K		R310	NRSA63J-101X	MG RESISTOR	100Ω 1/16W J	
C371	NCF31AZ-105X	C CAPACITOR	1uF 10V Z		R316	NRSA63J-102X	MG RESISTOR	1kΩ 1/16W J	
C372	NCF31EZ-104X	C CAPACITOR	0.1uF 25V Z		R319	NRSA63J-103X	MG RESISTOR	10kΩ 1/16W J	
C373	NCF31EZ-104X	C CAPACITOR	0.1uF 25V Z		R324	NRSA63J-331X	MG RESISTOR	330Ω 1/16W J	
C374	NCF31EZ-104X	C CAPACITOR	0.1uF 25V Z		R325	NRSA63J-331X	MG RESISTOR	330Ω 1/16W J	
C375	NCF31EZ-104X	C CAPACITOR	0.1uF 25V Z		R326	NRSA63J-331X	MG RESISTOR	330Ω 1/16W J	
C376	NCF31EZ-104X	C CAPACITOR	0.1uF 25V Z		R327	NRSA63J-331X	MG RESISTOR	330Ω 1/16W J	
C377	NCF31EZ-104X	C CAPACITOR	0.1uF 25V Z		R334	NRSA63J-151X	MG RESISTOR	150Ω 1/16W J	
C378	NCF31EZ-104X	C CAPACITOR	0.1uF 25V Z		R335	NRSA63J-151X	MG RESISTOR	150Ω 1/16W J	
C379	NCF31EZ-104X	C CAPACITOR	0.1uF 25V Z		R336	NRSA63J-151X	MG RESISTOR	150Ω 1/16W J	
C380	NCB21CK-105X	C CAPACITOR	1uF 16V K		R337	NRSA63J-151X	MG RESISTOR	150Ω 1/16W J	
C381	NCB21AK-225X	C CAPACITOR	2.2uF 10V K		R338	NRSA63J-0R0X	MG RESISTOR	0Ω 1/16W J	
C382	NCB31HK-471X	C CAPACITOR	470pF 50V K		R339	NRSA63J-0R0X	MG RESISTOR	0Ω 1/16W J	
C383	NCF31EZ-104X	C CAPACITOR	0.1uF 25V Z		R340	NRSA63D-303X	MG RESISTOR	30kΩ 1/16W D	
C386	NCF31EZ-104X	C CAPACITOR	0.1uF 25V Z		R341	NRSA63D-512X	MG RESISTOR	5.1kΩ 1/16W D	
C393	NCB31HK-103X	C CAPACITOR	0.01uF 50V K		R342	NRSA63D-242X	MG RESISTOR	2.4kΩ 1/16W D	
C451	NCF31EZ-104X	C CAPACITOR	0.1uF 25V Z		R345	NRSA63J-221X	MG RESISTOR	220Ω 1/16W J	
C452	NCB31CK-104X	C CAPACITOR	0.1uF 16V K		R346	NRSA63J-223X	MG RESISTOR	22kΩ 1/16W J	
C453	NCF31EZ-104X	C CAPACITOR	0.1uF 25V Z		R347	NRSA63J-203X	MG RESISTOR	20kΩ 1/16W J	
C454	NCB31HK-103X	C CAPACITOR	0.01uF 50V K		R348	NRSA63J-151X	MG RESISTOR	150Ω 1/16W J	
C455	NCB31HK-103X	C CAPACITOR	0.01uF 50V K		R349	NRSA63J-151X	MG RESISTOR	150Ω 1/16W J	
C551	NCF31EZ-104X	C CAPACITOR	0.1uF 25V Z		R350	NRSA63J-751X	MG RESISTOR	750Ω 1/16W J	
C554	NCF31EZ-104X	C CAPACITOR	0.1uF 25V Z		R351	NRSA63J-681X	MG RESISTOR	680Ω 1/16W J	
C555	NCF31EZ-104X	C CAPACITOR	0.1uF 25V Z		R352	NRSA63J-105X	MG RESISTOR	1MΩ 1/16W J	
C556	NCF31AZ-105X	C CAPACITOR	1uF 10V Z		R353	NRSA63J-101X	MG RESISTOR	100Ω 1/16W J	
C557	NCB31HK-102X	C CAPACITOR	1000pF 50V K		R357	NRSA63J-221X	MG RESISTOR	220Ω 1/16W J	
C558	NEAF0GM-476X	E CAPACITOR	47uF 4V M		R358	NRSA63J-221X	MG RESISTOR	220Ω 1/16W J	
C559	NCF31EZ-104X	C CAPACITOR	0.1uF 25V Z		R362	NRSA63J-331X	MG RESISTOR	330Ω 1/16W J	
C560	NCF31EZ-104X	C CAPACITOR	0.1uF 25V Z		R367	NRSA63J-221X	MG RESISTOR	220Ω 1/16W J	
C563	NCF31EZ-104X	C CAPACITOR	0.1uF 25V Z		R372	NRSA63J-103X	MG RESISTOR	10kΩ 1/16W J	
C564	NCF31EZ-104X	C CAPACITOR	0.1uF 25V Z		R373	NRSA63J-103X	MG RESISTOR	10kΩ 1/16W J	
C701	NCB21CK-105X	C CAPACITOR	1uF 16V K		R374	NRSA63J-102X	MG RESISTOR	1kΩ 1/16W J	
C702	NCB31HK-103X	C CAPACITOR	0.01uF 50V K		R375	NRSA63J-102X	MG RESISTOR	1kΩ 1/16W J	
C703	NCB30JK-105X	C CAPACITOR	1uF 6.3V K		R376	NRSA63J-102X	MG RESISTOR	1kΩ 1/16W J	
C709	NEAF0JM-476X	E CAPACITOR	47uF 6.3V M		R377	NRSA63J-102X	MG RESISTOR	1kΩ 1/16W J	
C712	NCF31EZ-104X	C CAPACITOR	0.1uF 25V Z		R378	NRSA63J-102X	MG RESISTOR	1kΩ 1/16W J	
C713	NEAF1CM-106X	E CAPACITOR	10uF 16V M		R383	NRSA63J-101X	MG RESISTOR	100Ω 1/16W J	
C714	NCF31EZ-104X	C CAPACITOR	0.1uF 25V Z		R384	NRSA63J-102X	MG RESISTOR	1kΩ 1/16W J	
C722	NCF31EZ-104X	C CAPACITOR	0.1uF 25V Z		R385	NRSA63J-102X	MG RESISTOR	1kΩ 1/16W J	
					R392	NRSA63J-103X	MG RESISTOR	10kΩ 1/16W J	
R101	NRSA63J-101X	MG RESISTOR	100Ω 1/16W J		R393	NRSA63J-0R0X	MG RESISTOR	0Ω 1/16W J	
R102	NRSA63J-101X	MG RESISTOR	100Ω 1/16W J		R394	NRSA63J-0R0X	MG RESISTOR	0Ω 1/16W J	
R103	NRSA63J-562X	MG RESISTOR	5.6kΩ 1/16W J		R452	NRSA63J-222X	MG RESISTOR	2.2kΩ 1/16W J	
R104	NRSA63J-432X	MG RESISTOR	4.3kΩ 1/16W J		R453	NRSA63J-103X	MG RESISTOR	10kΩ 1/16W J	
R105	NRS181J-180X	MG RESISTOR	18Ω 1/8W J		R454	NRSA63J-103X	MG RESISTOR	10kΩ 1/16W J	
R106	NRSA63J-2R2X	MG RESISTOR	2.2Ω 1/16W J		R455	NRSA63J-103X	MG RESISTOR	10kΩ 1/16W J	
R107	NRSA63J-102X	MG RESISTOR	1kΩ 1/16W J		R456	NRSA63J-103X	MG RESISTOR	10kΩ 1/16W J	
R108	NRSA63J-471X	MG RESISTOR	470Ω 1/16W J		R457	NRSA63J-101X	MG RESISTOR	100Ω 1/16W J	
R109	NRSA63J-331X	MG RESISTOR	330Ω 1/16W J		R458	NRSA63J-102X	MG RESISTOR	1kΩ 1/16W J	
R111	NRSA63J-562X	MG RESISTOR	5.6kΩ 1/16W J		R461	NRSA63J-101X	MG RESISTOR	100Ω 1/16W J	
R112	NRSA63J-432X	MG RESISTOR	4.3kΩ 1/16W J		R463	NRSA63J-101X	MG RESISTOR	100Ω 1/16W J	
R113	NRS181J-180X	MG RESISTOR	18Ω 1/8W J		R464	NRSA63J-101X	MG RESISTOR	100Ω 1/16W J	
R114	NRSA63J-2R2X	MG RESISTOR	2.2Ω 1/16W J		R465	NRSA63J-102X	MG RESISTOR	1kΩ 1/16W J	
R115	NRSA63J-102X	MG RESISTOR	1kΩ 1/16W J		R535	NRSA63J-473X	MG RESISTOR	47kΩ 1/16W J	

△ Symbol No.	Part No.	Part Name	Description	Local
R541	NRSA63J-473X	MG RESISTOR	47kΩ 1/16W J	
R701	NRSA63J-2R2X	MG RESISTOR	2.2Ω 1/16W J	
R703	NRSA63J-471X	MG RESISTOR	470Ω 1/16W J	
R704	NRSA63J-471X	MG RESISTOR	470Ω 1/16W J	
R717	NRSA63J-473X	MG RESISTOR	47kΩ 1/16W J	
R731	NRSA63J-102X	MG RESISTOR	1kΩ 1/16W J	
R732	NRSA63J-471X	MG RESISTOR	470Ω 1/16W J	
CN101	QGF0523F3-25W	CONNECTOR	FFC/FPC (1-25)	
CN201	QGF1016F8-08W	CONNECTOR	FFC/FPC (1-8)	
CN451	QGF1016F8-15W	CONNECTOR	FFC/FPC (1-15)	
CN452	QGA2001F6-02X	CONNECTOR	W-B (1-2)	
CN453	QGA2001F6-03X	CONNECTOR	W-B (1-3)	
CN701	QGF1016F8-28W	CONNECTOR	FFC/FPC (1-28)	
CN702	QGF1016F8-10W	CONNECTOR	FFC/FPC (1-10)	
K351	NQR0502-001X	FERRITE BEADS		
K352	NQR0502-001X	FERRITE BEADS		
K454	NRSA63J-0R0X	MG RESISTOR	0Ω 1/16W J	
K455	NRSA63J-0R0X	MG RESISTOR	0Ω 1/16W J	
K456	NRSA63J-0R0X	MG RESISTOR	0Ω 1/16W J	
K501	NQR0502-001X	FERRITE BEADS		
K710	NQR0022-002X	FERRITE BEADS		
K732	NRSA63J-0R0X	MG RESISTOR	0Ω 1/16W J	
K733	NRSA63J-0R0X	MG RESISTOR	0Ω 1/16W J	
K734	NRSA63J-0R0X	MG RESISTOR	0Ω 1/16W J	
K735	NRSA63J-0R0X	MG RESISTOR	0Ω 1/16W J	
K736	NRSA63J-0R0X	MG RESISTOR	0Ω 1/16W J	
K737	NRSA63J-0R0X	MG RESISTOR	0Ω 1/16W J	
K738	NQR0022-005X	FERRITE BEADS		
K744	NRSA63J-0R0X	MG RESISTOR	0Ω 1/16W J	
K748	NRSA63J-0R0X	MG RESISTOR	0Ω 1/16W J	
K749	NRSA63J-0R0X	MG RESISTOR	0Ω 1/16W J	
K750	NQR0022-002X	FERRITE BEADS		
K752	NQR0022-002X	FERRITE BEADS		
K754	NQR0022-002X	FERRITE BEADS		
K756	NQR0022-002X	FERRITE BEADS		
K758	NQR0022-002X	FERRITE BEADS		
TH301	NAD0025-103X	N THERMISTOR	10kΩ	
X301	NAX0741-001X	CRYSTAL	27.000MHz	
X451	NAX0248-001X	C OSCILLATOR	8.000MHz	

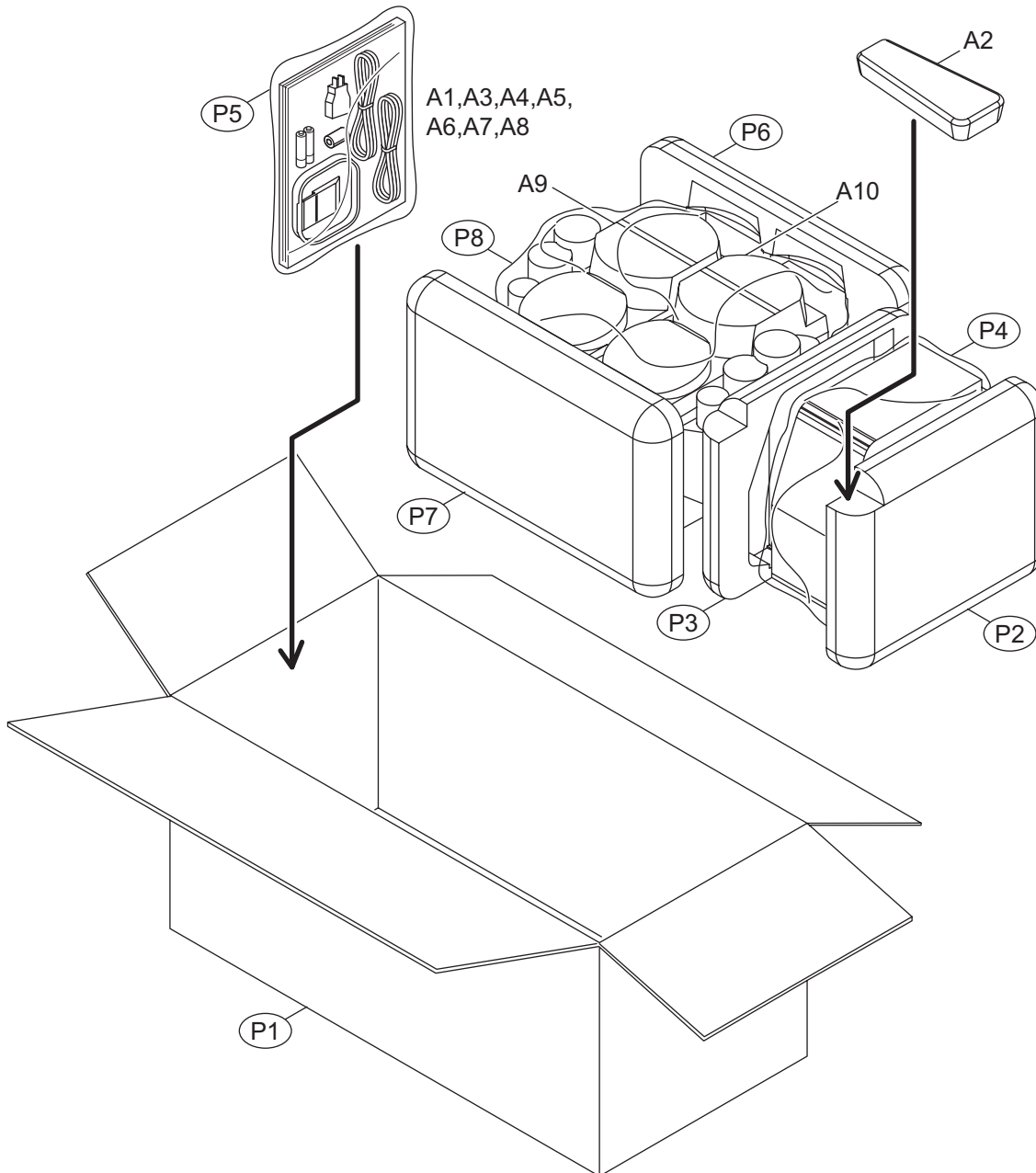
DVD loading board (FMU-SM1-25M)

Block No. [0][5]

△ Symbol No.	Part No.	Part Name	Description	Local
IC1	LB1641	IC		
IC2	LB1641	IC		
D1	MTZJ6.2A-T2	Z DIODE		
C1	QEK1AM-107Z	E CAPACITOR	100uF 10V M	
C2	QCFB1HZ-104Y	C CAPACITOR	0.1uF 50V Z	
C3	QFLC1HJ-103Z	M CAPACITOR	0.01uF 50V J	
C5	QFLC1HJ-103Z	M CAPACITOR	0.01uF 50V J	
C6	QCFB1HZ-104Y	C CAPACITOR	0.1uF 50V Z	
C7	QCFB1HZ-104Y	C CAPACITOR	0.1uF 50V Z	
CN1	QGF1036F1-15	CONNECTOR	FFC/FPC (1-15)	
CN2	QGB2024K1-07S	CONNECTOR	B-B (1-7)	
CN3	QGB2024J1-07S	CONNECTOR	B-B (1-7)	
SW1	QSW0844-001	PUSH SWITCH		
SW2	QSW0844-001	PUSH SWITCH		
SW3	QSW0844-001	PUSH SWITCH		
SW4	QSW0844-001	PUSH SWITCH		
SW5	QSW0844-001	PUSH SWITCH		
SW6	QSW0854-002	PUSH SW		
SW8	QSW0923-001	DETECT SWITCH		

Packing materials and accessories parts list

Block No. M 3 M M



Packing and Accessories

Block No. [M][3][M][M]

△	Symbol No.	Part No.	Part Name	Description	Local
	A 1	AH68-01855C	INST BOOK	LVT1540-003A ENG	
	A 2	AH59-01539B	REMOCON		
	A 3	AH39-00320C	FM WIRE		
	A 4	AH42-00019A	ANT LOOP		
	A 5	-----	BATTERY	(x2)	
	A 6	AH65-00007A	FERRITE CORE	(x3)	
△	A 7	3721-000117	CONVERSION PLUG		
	A 8	AH39-40001V	RCA CABLE	3000mm	
	A 9	AH81-01979A	SPEAKER BOX L	LEFT	
	A 10	AH81-01979B	SPEAKER BOX R	RIGHT	
	P 1	AH69-01644B	CARTON		
	P 2	AH69-01645A	CUSHION L		
	P 3	AH69-01646A	CUSHION R		
	P 4	6902-000068	POLY BAG		
	P 5	6902-000385	POLY BAG	(x2)	
	P 6	AH81-02263A	TOP CUSHION		
	P 7	AH81-02264A	BOTTOM CUSHION		
	P 8	AH81-01454C	POLY BAG	(x2)	